

SUBJECT:
 "BIS" SERIES LED
 REFLECTOR ASSEMBLIES

Day-Brite Lighting
 a Genlyte company
INSTRUCTION SHEET

WARNING: ELECTRICAL SHOCK POTENTIAL !! DO NOT ATTEMPT TO INSTALL, MAINTAIN OR RELAMP WITHOUT DISCONNECTING ALL POWER. FAILURE TO DISCONNECT POWER CAN RESULT IN ELECTROCUTION, SHOCK OR SEVERE BURNS.

CAUTION: This fixture is designed for permanent installation in ordinary (Non-Hazardous) locations in accordance with the National Electrical Code and all applicable local codes. Do not use in areas of limited ventilation or in high ambient enclosures. The lamp and fixture operate at high temperatures, contact with combustible materials can cause fire and personal contact can cause severe burns.

REFLECTOR ASSEMBLY
 REFLECTOR STYLE "SUZ" SHOWN.
 "GGI", "BRI", "DAN", "ELE", "ANA",
 "ZOE", "CLO", "SUZ", "NIC", "NAN",
 "BEL" SERIES INSTALL IN LIKE MANNER.

1/2" RIGID DECORATIVE PIPE
 DAY-BRITE "BGN" SERIES
 OR SUPPLIED BY OTHERS

REFLECTOR ASSEMBLY SERIES "SUZ", "GGI", "BRI", "DAN", "ELE", "ANA", "ZOE", "CLO", "SUZ", "NIC", "NAN", & "BEL" INSTALLATION

- 1) DO NOT REMOVE GUARD AND GLOBE IF SUPPLIED. THIS IS NOT NECESSARY.
- 2) ROUTE SUPPLY WIRES (RED & BLUE) SHOWN IN FIG. 1 FROM REFLECTOR ASSEMBLY THROUGH PIPE.
NOTE: DO NOT CUT EXCESS LEADS.
- 3) THREAD REFLECTOR ASSEMBLY ONTO 1/2" RIGID DECORATIVE PIPE BY TURNING COMPLETE ASSEMBLY UNTIL SECURELY TIGHTENED.
- 4) SEE FIG. 2 BELOW FOR AN EXAMPLE OF FINISHED REFLECTOR/PIPE ASSEMBLY.

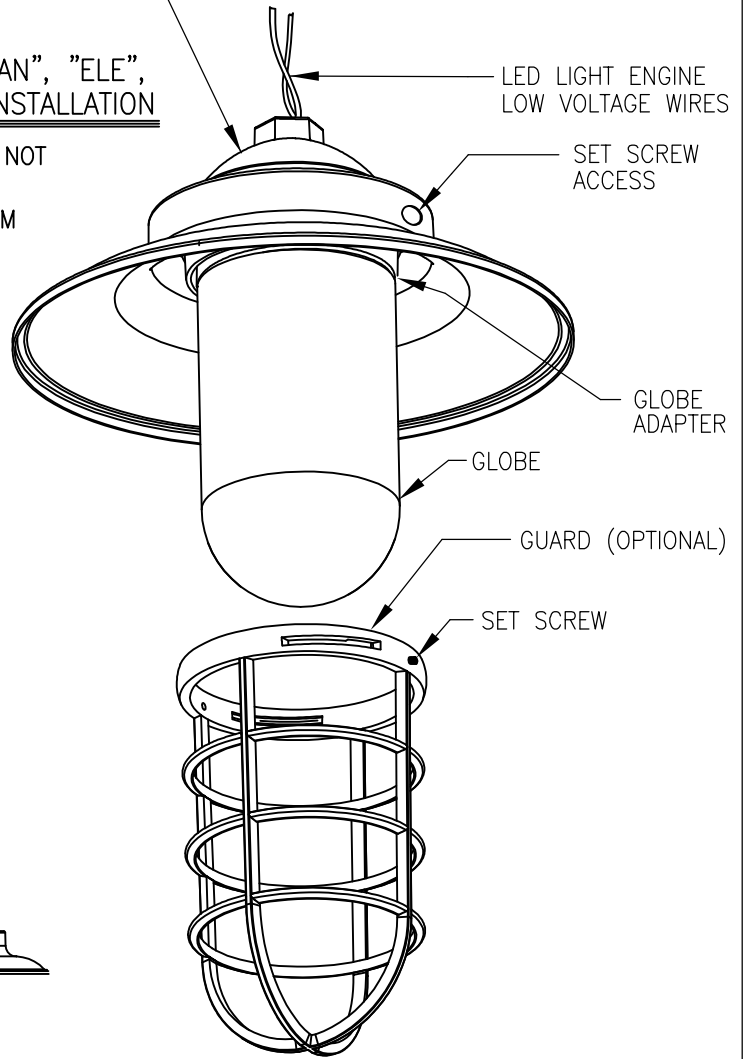


FIG. 1

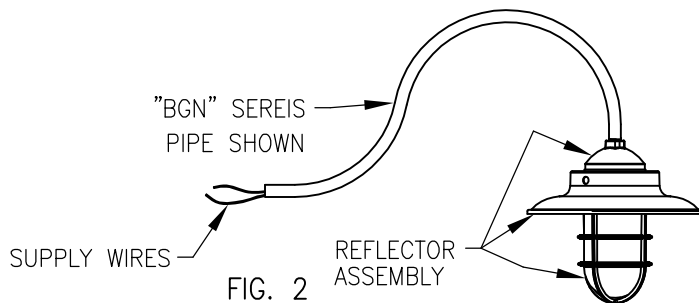


FIG. 2