

SUBJECT:

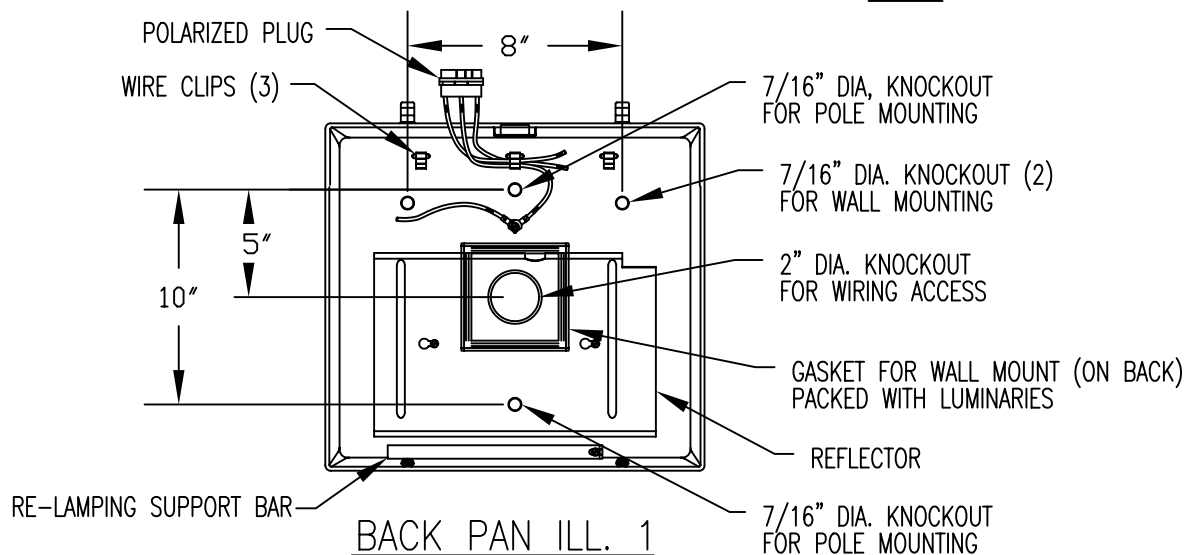
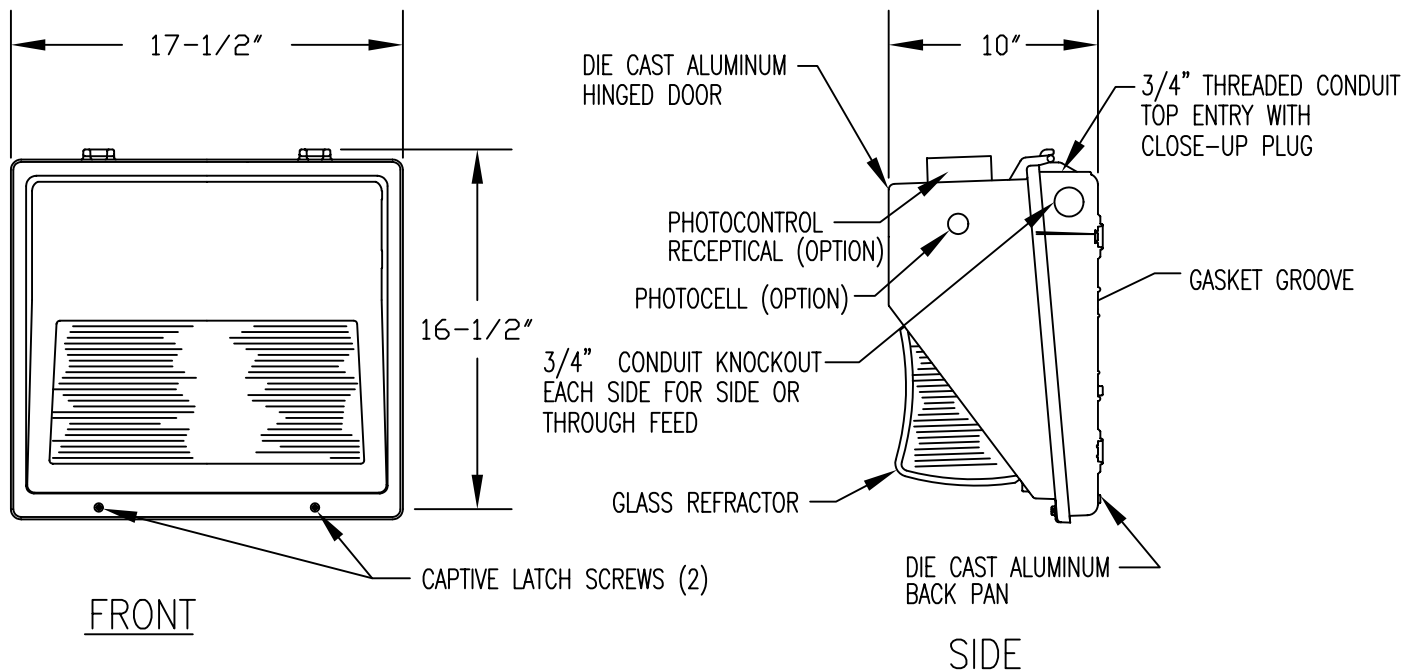
WALL LIGHT LARGE
CAT. No. WLL SERIES



INSTRUCTION SHEET

WARNING: ELECTRICAL SHOCK POTENTIAL !! DO NOT ATTEMPT TO INSTALL, MAINTAIN OR RE-LAMP WITHOUT DISCONNECTING ALL POWER. FAILURE TO DISCONNECT POWER CAN RESULT IN ELECTROCUTION, SHOCK OR SEVERE BURNS.

CAUTION: This fixture is designed for permanent installation in ordinary (Non-Hazardous) locations in accordance with the National Electrical Code and all applicable local codes. Do not use in areas of limited ventilation or in high ambient enclosures. The lamp and fixture operate at high temperatures, contact with combustible materials can cause fire and personal contact can cause severe burns.



RE-LAMPING

LOOSEN SCREWS, LIFT HINGED DOOR AND SWING OUT SUPPORT BAR TO HOLD DOOR OPEN.

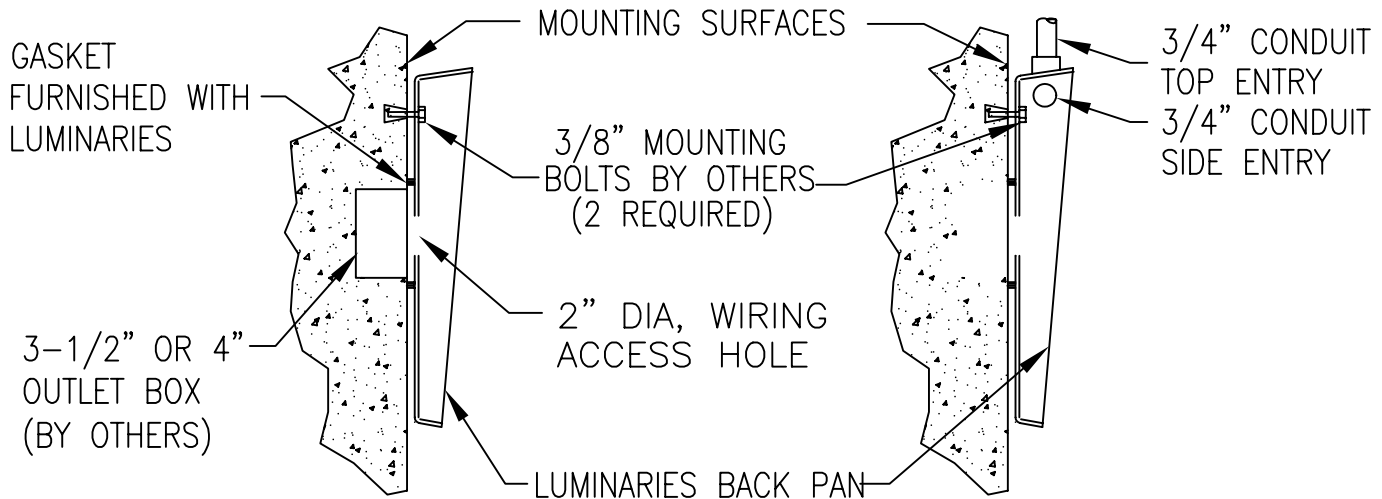
SUBJECT:

WALL LIGHT LARGE
CAT. No. WLL SERIES

 **Day-Brite Lighting**

INSTRUCTION SHEET

CAUTION: THE INSTALLATION AND SERVICING OF THIS PRODUCT SHOULD BE PERFORMED BY A QUALIFIED ELECTRICIAN OR SERVICE PERSONNEL



WALL MOUNT OVER OUTLET BOX

1. OPEN FIXTURE AND REMOVE REFLECTOR BY LOSING TWO SCREWS AND SLIDE TO THE RIGHT.
2. PUNCH OUT KNOCKOUTS (B) AND (C) IN BACK PAN (SEE ILL. 1 ON FRONT)
3. ATTACH GASKET PACKED WITH LUMINARIES TO BACK PAN (SEE ILL. 1 ON FRONT).
4. CENTER BACK PAN OVER OUTLET BOX AND ATTACH WITH (2) 3/8" BOLTS.
5. BRANCH CIRCUIT SUPPLY WIRES AND CONNECTIONS MUST BE PUSHED BACK INTO OUTLET BOX.

WALL MOUNT FOR EXPOSED CONDUIT

1. PUNCH OUT KNOCKOUTS (B) IN BACK PAN (SEE ILL. 1 ON FRONT)
2. LOCATE BACK PAN ON WALL AND ATTACH WITH (2) 3/8" BOLTS.
3. ATTACH 3/4" CONDUIT, TOP OR SIDE ENTRY. NOTE: USE WEATHER PROOF FITTINGS ON APPLY SILICONE SEALANT TO PREVENT WATER FROM ENTERING LUMINARIES.
4. BEFORE MAKING POWER SUPPLY CONNECTIONS, THE BLACK & WHITE WIRES OF THE LUMINARIES POLARIZED PLUG MUST BE SHORTENED TO A LENGTH OF 10 INCHES.

WIRING:

SUPPLY WIRES MUST BE RATED FOR AT LEAST 90°C. CONNECT TO LUMINARIES POLARIZED PLUG LOCATED INSIDE BACK PAN. NOTE: ALL WIRES MUST BE RETAINED BY THE THREE SPRINGS STEEL CLIPS PROVIDED IN UPPER HALF OF BACK PAN TO HOLD WIRES AWAY FROM REFLECTOR WHICH CAN CAUSE HEAT DETERIORATION TO WIRE INSULATION.

GROUNDING:

TO PREVENT RISK OF ELECTRICAL SHOCK, THE LUMINARIES MUST BE GROUNDED. CONNECT SUPPLY SYSTEM GROUND TO THE EQUIPMENT GREEN GROUND LEAD PROVIDED INSIDE OF BACK PAN.

CAULKING:

TO PREVENT WATER FROM ENTERING LUMINARIES, APPLY A SILICONE SEALANT BETWEEN MOUNTING SURFACES AND BACK PAN ACROSS TOP AND DOWN BOTH SIDES.

FINAL ASSEMBLY

1. HINGE LUMINARIES FRONT HOUSING TO BACK PAN.
2. INSTALL LAMP AND CONNECT LUMINARIES POLARIZED PLUG AND SOCKET.
3. CLOSE FRONT HOUSING AND SECURE WITH THE TWO CAPTIVE LATCH SCREWS.