

SUBJECT:

DSS



DESIGNER SURFACE SQUARE INSTRUCTION SHEET

WARNING: ELECTRICAL SHOCK POTENTIAL !! DO NOT ATTEMPT TO INSTALL, MAINTAIN OR RELAMP WITHOUT DISCONNECTING ALL POWER. FAILURE TO DISCONNECT POWER CAN RESULT IN ELECTROCUTION, SHOCK OR SEVERE BURNS.

CAUTION: This fixture is designed for permanent installation in ordinary (Non-Hazardous) locations in accordance with the National Electrical Code and all applicable local codes. Do not use in areas of limited ventilation or in high ambient enclosures. The lamp and fixture operate at high temperatures, contact with combustible materials can cause fire and personal contact can cause severe burns.

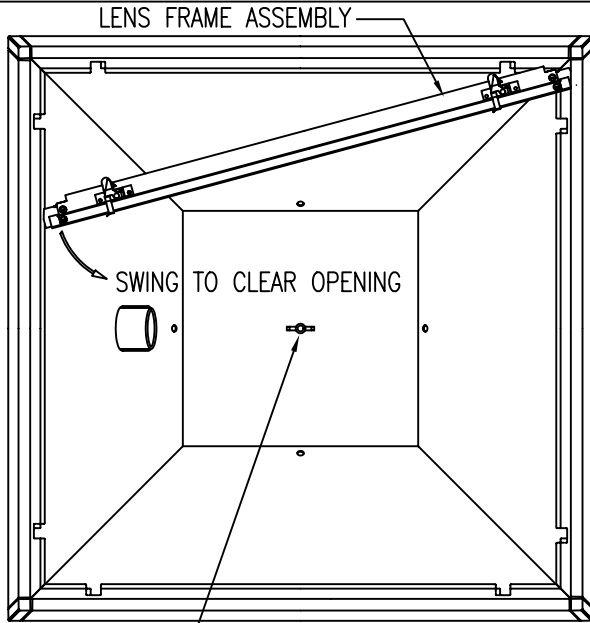


FIG. 1

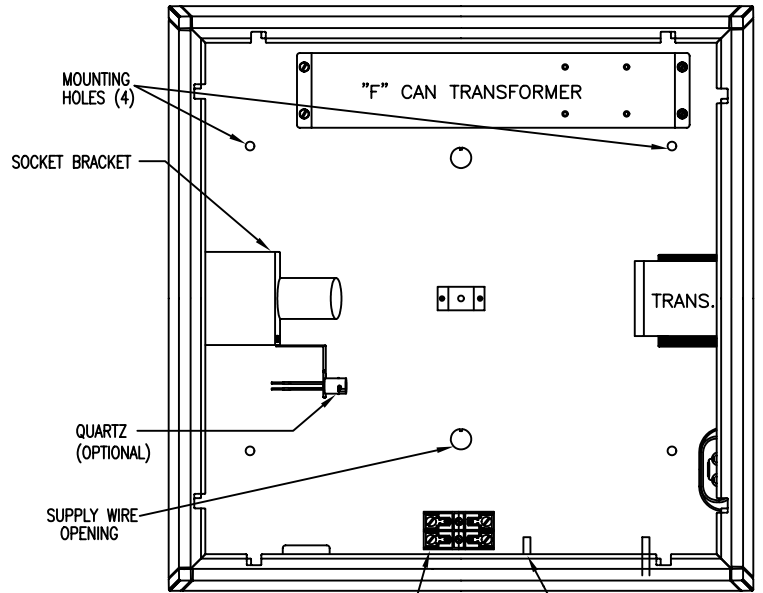


FIG. 2

REFLECTOR WING NUT

MOUNTING BOLTS (BY OTHERS)

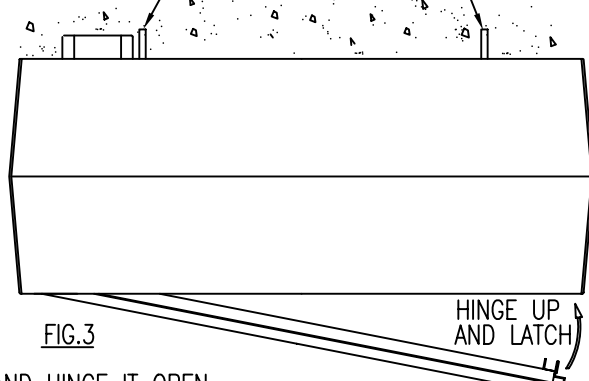


FIG. 3

CEILING MOUNT:

1. UNLATCH LENS FRAME ASSEMBLY AND HINGE IT OPEN.
2. SWING LENS FRAME ASSEMBLY ON ONE CORNER TO CLEAR FIXTURE'S OPENING (SEE FIG.1) AND REMOVE LENS FRAME ASSEMBLY.
3. REMOVE REFLECTOR WING NUT AND REFLECTOR.
4. ALIGN SUPPLY WIRE HOLE WITH LOCATION OF INCOMING SUPPLY WIRES.
5. USE (4) MOUNTING HOLES TO ATTACH FIXTURE TO CEILING (SEE FIG.2). USE MOUNTING HARDWARE (BY OTHERS) APPROPRIATE FOR CEILING MATERIAL.
6. MAKE SUPPLY CONNECTIONS UNDER REFLECTOR AND SECURE WITH WIRE TIE SUPPLIED, IN ACCORDANCE WITH ALL LOCAL CODES AND THE NATIONAL ELECTRICAL CODES. WIRE INCOMING SUPPLY LINE LEAD TO FIXTURE LINE LEAD. WIRE INCOMING COMMON LEAD TO FIXTURE COMMON LEAD. CONNECT INCOMING GROUND LEAD TO GROUND LEAD PROVIDED IN FIXTURE. (ALL LEADS ARE TO BE CLEAR OF THE REFLECTOR.)
OPTIONAL FUSE BLOCK: USE FUSE KIT CAT. NO. SLSF (SINGLE FUSE) FOR 120V & 277V; SLDF (DOUBLE FUSE) FOR 208V, 240V, & 480V. REMOVE FUSE BLOCK. DISCARD THE PLATE. MOUNT THE FUSE BLOCK ON TOP PLATE BY SUPPLY WIRE OPENING (SEE FIG. 2). CONNECT POWER SUPPLY LEAD(S) AND DESIRED BALLAST LEAD TO FUSE BLOCK LEAD(S).
7. REPLACE REFLECTOR, INSTALL LAMP(S), AND LENS FRAME ASSEMBLY. HINGE THE LATCH SIDE OF THE LENS FRAME ASSEMBLY UP, AND CLOSED (SEE FIG.2).

CAUTION: MAKE CERTAIN THAT LENS FRAME ASSEMBLY IS PROPERLY LATCHED.

7-87625-251 (FRONT) JULY 1999

SUBJECT:

DSS



DESIGNER SURFACE SQUARE INSTRUCTION SHEET

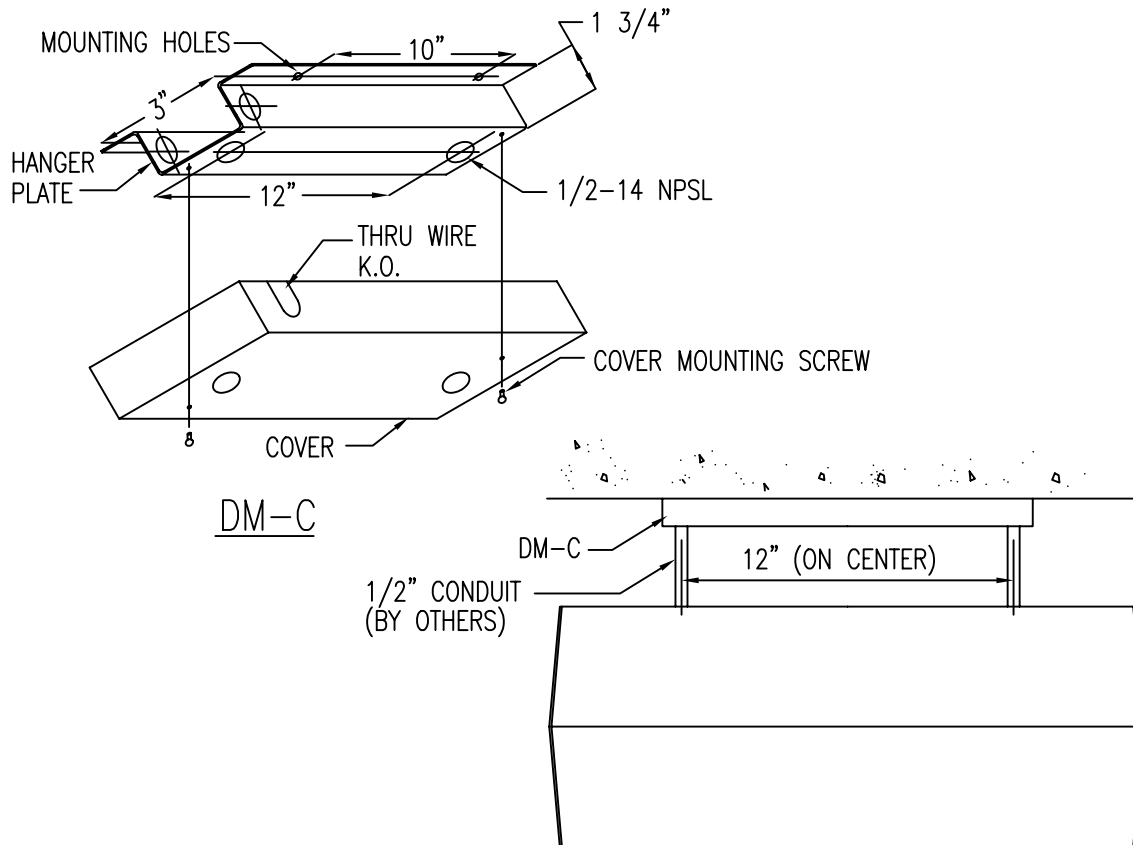
CAUTION: THE INSTALLATION AND SERVICING OF THIS PRODUCT SHOULD BE PERFORMED BY A QUALIFIED ELECTRICIAN OR SERVICE PERSONNEL

PENDANT MOUNT

1. FOLLOW STEP #1 THRU #3 FROM FRONT PAGE.
2. MOUNT HANGER PLATE TO MOUNTING SURFACE WITH (4) BOLTS APPROPRIATE TO CEILING MATERIAL (BY OTHERS).
3. AFTER INSTALLING HANGER PLATE, THREAD IN (2) 1/2-14 NPT NIPPLES OR CONDUIT (BY OTHERS). ALIGN COVER WITH NIPPLES OR CONDUIT AND SLIDE UP TO HANGER PLATE AND ATTACH WITH (2) COVER MOUNTING SCREWS PROVIDED IN DM-C HARDWARE PACK. ATTACH FIXTURE TO NIPPLES OR CONDUIT WITH CONDUIT BUSHING (BY OTHERS).

NOTE: MOUNT AND WIRE DM-C IN ACCORDANCE WITH ALL LOCAL AND NATIONAL ELECTRICAL CODES.

4. FOLLOW STEP #6 THRU #8 FROM FRONT PAGE.



7-87625-251 (BACK) JULY 1999

DM-C

PENDANT MOUNT

CANOPY MOUNT