

**1 or 2 Lamp
T5, T5HO, or T8**

APPLICATION

- Highly efficient, highly flexible recessed air handling luminaire with an upscale architectural appearance.
- Excellent visual comfort, ideal for modern high tech. offices.
- Other applications include schools and retail environments.
- Many ballast/lamp systems are available, providing flexibility to tailor the luminaire to specific applications.
- Wide “batwing” distribution allows wider luminaire spacing and improves uniformity for more even lighting.
- High optical efficiency increases energy savings.
- Step dimming ballasts can be switched to less than 50% input power for energy savings to meet most energy codes while maintaining symmetrical illumination.
- Multiple shielding options create a wide variety of photometric variations and aesthetic effects.
- Specific models are available for Grid, Flange, Z-spline/Modular or Screw Slot ceiling systems.
- Designed for air supply/return through side slots in reveal.

- Black reveal around enclosure provides floating appearance and disguises air slots. White reveal is available.
- Suitable for end-to-end mounting.
- K.O. in luminaire ends for thru wiring or conduit entry in shallow plenums.

CONSTRUCTION/FINISH

- T-bar grid clips are built into luminaire ends for quick and easy installation, no extra parts required.

ELECTRICAL

- UL listed for damp locations. Canadian certified optional.
- Standard size fluorescent emergency ballasts can be incorporated, UL listed for dry locations.
- Systems are available offering electrical system efficacy ratings up to 96 Lumens/Watt.

ENCLOSURES

- One-piece enclosure hinges down as an assembly for easy access to lamps and ballast from below.
- T-hinges provide secure retention of enclosure and eliminate non-captive parts to hold during servicing.
- Guide-post spring loaded latches allow easy opening and closing of the enclosure.
- Choice of shielding includes diffuse acrylic with or without overlay, white radial louver with overlay, round or linear perforated steel with overlay.

CATALOG NUMBER

1	AT	W		A							
FAMILY	CEILING TYPE	NO. OF LAMPS	DIFFUSERS	BALLAST CONFIG.	OPTIONS						
AT – Attune	G – Grid F – Flange Z – Z Spline/Modular T – Screw Slot	(not included) 1 2 (28wT5 only)	D – Diffuse DO – Diffuse w/overlay WO – White Radial Louver w/overlay PMW – Round Perf. w/white overlay SMW – Slotted (Linear) Perf. w/white overlay	1/1 – One 1-Lamp ballast 1/2 – One 2-Lamp ballast	APC – Adjustable Air Pattern Control Blades ASC – Air Slot Covers CM – Canadian Market CC – Custom Color F1 – 3/8" flex, 3 wire 18 gauge F2 – 3/8" flex, 4 wire 18 gauge E1* – DEB-1 emerg. ballast, T8 lamps, 350-450 lumens. E7* – DEB-7 emerg. ballast, T8 lamps, 600-700 lumens. E5* – DEB-5 emerg. ballast, T8 lamps 1100-1400 lumens. E7LP* – DEB-7LP emerg. ballast T5/T5HO, 430-700 lumens. E6* – DEB-6LP emerg. ballast, T5/T5HO lamps, 750-1325 lumens. GLR# – Fusing, fast blow (# = number of ballasts) LPT730 – Installed T8 lamps, 70+ CRI, 3000K LPT735 – Installed T8 lamps, 70+ CRI, 3500K LPT741 – Installed T8 lamps, 70+ CRI, 4100K LPT830HL – Installed T8 hi lumen lamps, 80+ CRI, 3000K LPT835HL – Installed T8 hi lumen lamps, 80+ CRI, 3500K LPT841HL – Installed T8 hi lumen lamps, 80+ CRI, 4100K LPT830 – Installed T8/T5/T5HO lamps, 80+ CRI, 3000K LPT835 – Installed T8/T5/T5HO lamps, 80+ CRI, 3500K LPT841 – Installed T8/T5/T5HO lamps, 80+ CRI, 4100K PAF – Housing painted after fabrication WR – White Reveal						
WIDTH	DISTRIBUTION	AIR FUNCTION	LAMP TYPE/WATTAGE	VOLTAGE							
1 – 1'	W – Wide (Batwing)	A – Air Supply/Return	28 – 28wT5 (46") 32 – 32wT8 (48") 54HO – 54wT5HO (46")	120 277 UNV – Universal Voltage, 120-277 volt							
BALLAST TYPE											
EBD – T5/T5HO/T8 electronic dimming ballast EB – T5/T5HO/T8 electronic ballast, std. ballast factor EBL – T8 Electronic ballast, low ballast factor EBH – T8 Electronic ballast, hi ballast factor EB10I – T8 Electronic ballast, <10% THD, instant start EB10R – T8 Electronic ballast, <10% THD, rapid start EBSD – T8 Electronic step dimming ballast EB95 – 28wT5 Electronic ballast, .95 ballast factor (2 lamp only) EB115 – 28wT5 Electronic ballast, 1.15 ballast factor (2 lamp only) EBSD95 – 28wT5 Electronic step dimming ballast, .95 ballast factor (2 lamp only) EBSD115 – 28wT5 Electronic step dimming ballast, 1.15 ballast factor (1 or 2 lamp)											
*Factory installed											

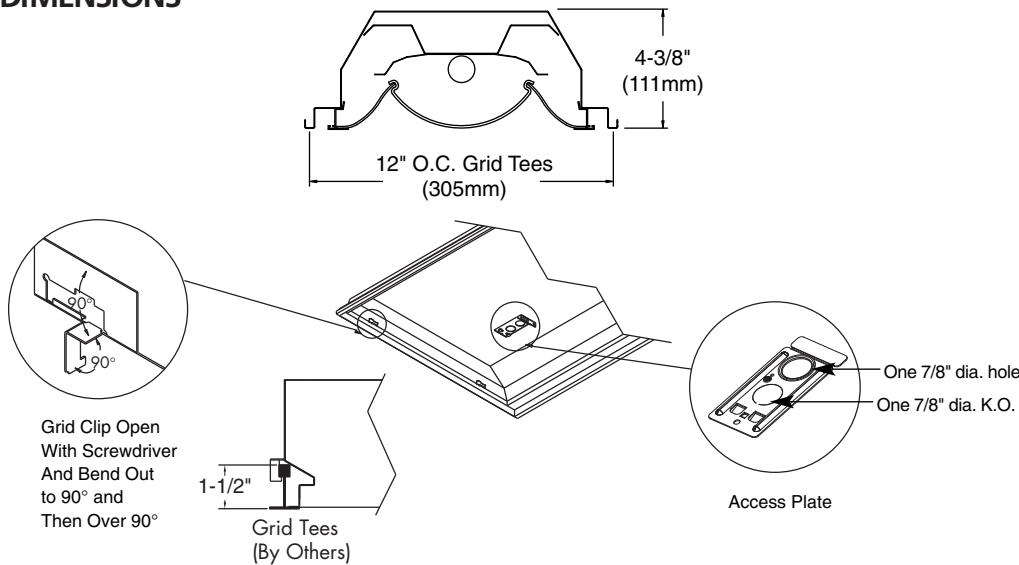
JOB INFORMATION

0015.1-AR

ENERGY DATA

Lamp Type	Ballast Type	Input Power (120/277V)	Electrical System Lumens/Watt	
			Std. Lamps*	Hi-lumen Lamps
1 Lamp 28	EB	33W / 33W	91	-
	EBSD115@hi (@lo)	38W / 38W (19W / 19W)	88 (66)	-
1 Lamp 32	EB	31W / 31W	79	88
	EB10I	31W / 31W	79	88
	EB10R	31W / 30W	79	88
	EBL	29W / 29W	86	95
	EBH	41W / 41W	82	91
	EBSD@hi (@lo)	29W / 29W (14W / 14W)	85 (60)	94 (66)
1 Lamp 54HO	EB	63W / 62W	82	-
2 Lamp 28	EB95	60W / 58W	95	-
	EBSD95@hi (@lo)	60W / 58W (28W / 28W)	95 (73)	-
	EB115	72W / 71W	94	-
	EBSD115@hi (@lo)	72W / 71W (35W / 35W)	94 (80)	-
	EB	66W / 64W	95	-

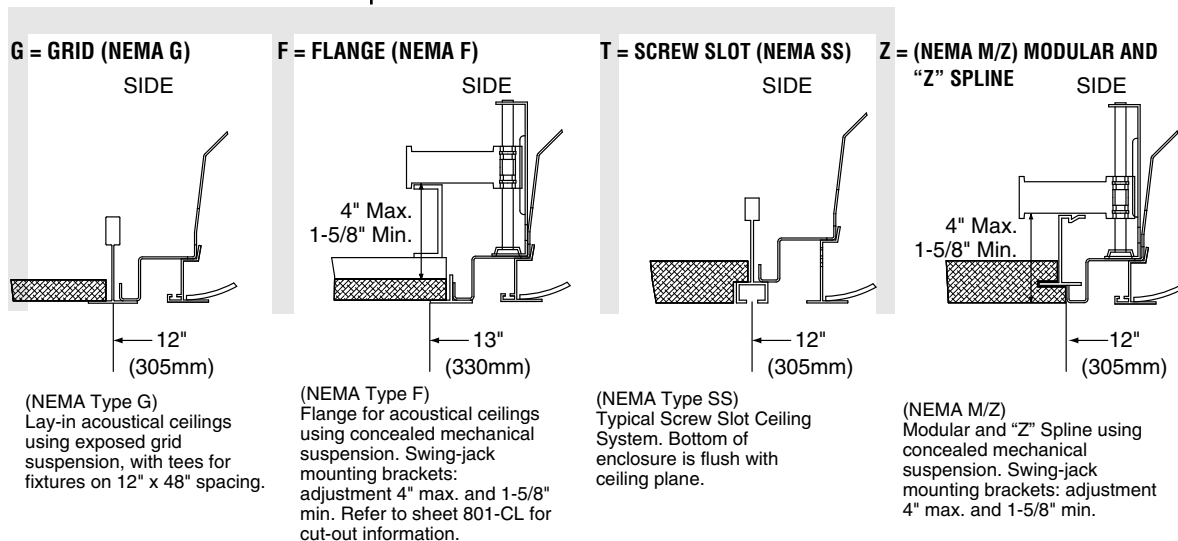
DIMENSIONS



*Standard lamp T8 values assume 70+CRI 32W lamp. 80+CRI lamps or energy saving lamps are also available.

1 AT W G A 1 32

CEILING TYPE



PHOTOMETRIC DATA CATALOG # 1ATWGA128-D-1/1-EB LAMPS = F28T5 INPUT WATTS = 33 LER = 65
 TEST #25779 S/MH=1.6 BALLAST = ELECTRONIC BALLAST FACTOR = 1.00
 COMPARATIVE YEARLY LIGHTING ENERGY COST PER 1000 LUMENS = \$3.69 BASED ON 3000 HRS. AND \$.08 PER KWH. FIXTURE EFFICIENCY= 81.9%

1 LAMP T5, DIFFUSE

CANDLEPOWER			
Angle	End	45	Cross
0	666	666	666
5	666	668	675
10	657	675	694
15	643	682	721
20	624	688	743
25	591	678	744
30	564	674	744
35	527	650	715
40	483	612	667
45	433	561	597
50	381	499	514
55	323	429	429
60	267	348	340
65	210	271	246
70	157	193	157
75	106	121	88
80	62	63	42
85	25	19	14

MAINTAINED ILLUMINATION TABLE- Square Feet/Fixture*			
<ul style="list-style-type: none"> 80-50-20 Reflectances (Ceiling-Wall-Floor) LLF = 0.89 2600 Lumens/Lamp very clean Room width divided by room height = 5 or more, 2 or 1 			
Fixture Size & # of Lamps	Room Width Room Height =	Approx. Area (sq. ft.) per Fixture	
		30 ft-c	50 ft-c
1x4	5	66	40
T5	2	45	-
Diffuse	1	33	-

*Observe Fixture S/MH Requirements for Specific Applications

.89LLF = .94LDD x .95LLD x 1.0BF

COEFFICIENT OF UTILIZATION						
pfc pcc pw	20		70		50	
	70	50	30	70	50	30
RCR						
0	97	97	97	94	94	94
1	89	85	81	86	83	81
2	81	75	68	79	72	68
3	73	66	58	71	64	57
4	68	57	51	66	56	50
5	61	52	45	60	51	44
6	57	46	39	56	46	39
7	53	41	34	52	41	34
8	50	38	30	47	38	30
9	46	34	28	45	34	28
10	42	32	26	41	32	26

LIGHT DISTRIBUTION			
DEGREES	LUMENS	% LAMP	% FIXTURE
0-30	569	21.9	26.7
0-40	965	37.1	45.3
0-60	1737	66.8	81.6
0-90	2130	81.9	100.0

PHOTOMETRIC DATA CATALOG # 1ATWGA132-D-1/1-EB LAMPS = F32T8 INPUT WATTS = 30 LER = 59
 TEST #25778 S/MH=1.5 BALLAST = ELECTRONIC BALLAST FACTOR = 0.88
 COMPARATIVE YEARLY LIGHTING ENERGY COST PER 1000 LUMENS = \$4.07 BASED ON 3000 HRS. AND \$.08 PER KWH. FIXTURE EFFICIENCY= 70.9%

1 LAMP T8, DIFFUSE

CANDLEPOWER			
Angle	End	45	Cross
0	670	670	670
5	666	670	670
10	657	666	673
15	643	662	678
20	621	652	679
25	598	634	680
30	558	620	672
35	519	597	660
40	475	568	629
45	423	527	582
50	371	480	509
55	314	417	413
60	261	341	309
65	201	255	209
70	152	177	132
75	103	109	78
80	60	54	38
85	25	18	13

MAINTAINED ILLUMINATION TABLE- Square Feet/Fixture*			
<ul style="list-style-type: none"> 80-50-20 Reflectances (Ceiling-Wall-Floor) LLF = 0.75 2850 Lumens/Lamp very clean Room width divided by room height = 5 or more, 2 or 1 			
Fixture Size & # of Lamps	Room Width Room Height =	Approx. Area (sq. ft.) per Fixture	
		30 ft-c	50 ft-c
1x4	5	53	32
T8	2	36	-
Diffuse	1	-	-

*Observe Fixture S/MH Requirements for Specific Applications

.75LLF = .94LDD x .91LLD x .88BF

COEFFICIENT OF UTILIZATION						
pfc pcc pw	20		70		50	
	70	50	30	70	50	30
RCR						
0	83	83	83	81	81	81
1	77	73	70	76	72	69
2	70	65	59	68	64	58
3	64	56	51	63	56	51
4	58	50	44	56	50	44
5	54	45	39	53	44	38
6	50	40	34	48	40	34
7	46	36	29	45	35	29
8	42	33	27	41	33	27
9	40	30	25	39	29	25
10	38	28	23	36	28	23

LIGHT DISTRIBUTION			
DEGREES	LUMENS	% LAMP	% FIXTURE
0-30	544	19.1	26.9
0-40	914	32.1	45.2
0-60	1657	58.1	82.0
0-90	2020	70.9	100.0

PHOTOMETRIC DATA CATALOG # 1ATWGA228-D-1/2-EB95 LAMPS = F28T5 INPUT WATTS = 58 LER = 70
 TEST #26627 S/MH=1.6 BALLAST = ELECTRONIC BALLAST FACTOR = 0.95
 COMPARATIVE YEARLY LIGHTING ENERGY COST PER 1000 LUMENS = \$3.43 BASED ON 3000 HRS. AND \$.08 PER KWH. FIXTURE EFFICIENCY= 82.7%

2 LAMP T5, DIFFUSE

CANDLEPOWER			
Angle	End	45	Cross
0	1263	1263	1263
5	1270	1263	1285
10	1255	1279	1332
15	1230	1300	1389
20	1194	1317	1440
25	1150	1323	1469
30	1094	1310	1461
35	1025	1274	1416
40	944	1211	1335
45	853	1125	1228
50	752	1020	1099
55	645	885	939
60	533	744	759
65	422	584	566
70	313	422	375
75	213	268	205
80	124	131	91
85	50	38	25

MAINTAINED ILLUMINATION TABLE- Square Feet/Fixture*			
<ul style="list-style-type: none"> 80-50-20 Reflectances (Ceiling-Wall-Floor) LLF = 0.85 2600 Lumens/Lamp very clean Room width divided by room height = 5 or more, 2 or 1 			
Fixture Size & # of Lamps	Room Width Room Height =	Approx. Area (sq. ft.) per Fixture	
		30 ft-c	50 ft-c
1x4	5	127	76
T5	2	85	51
Diffuse	1	62	37

*Observe Fixture S/MH Requirements for Specific Applications

.85LLF = .94LDD x .95LLD x .95BF

COEFFICIENT OF UTILIZATION						
pfc pcc pw	20		70		50	
	70	50	30	70	50	30
RCR						
0	97	97	97	95	95	95
1	90	85	82	88	83	81
2	81	75	69	80	73	68
3	75	66	58	71	64	57
4	68	57	51	66	56	50
5	61	52	44	60	51	44
6	57	46	39	56	46	39
7	53	41	34	52	40	34
8	48	38	30	47	38	30
9	46	34	28	45	34	28
10	42	32	25	41	32	25

LIGHT DISTRIBUTION			
DEGREES	LUMENS	% LAMP	% FIXTURE
0-30	1096	21.1	25.5
0-40	1874	36.0	43.6
0-60	3455	66.4	80.4
0-90	4299	82.7	100.0

