

JOB NAME _____

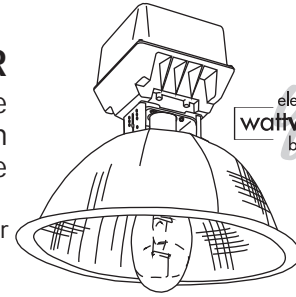
TYPE _____

LOGISTIX^{Pro}™

AISLE LIGHTER

250-400 watt Metal Halide
 250-400 watt High Pressure Sodium
 250-450 watt Pulse Start Metal Halide

The LOGISTIX^{Pro}™ Aisle Lighter Luminaire has an open, hydroformed faceted aluminum reflector with asymmetric distribution. It is the choice for aisle/warehouse applications in commercial and industrial facilities.

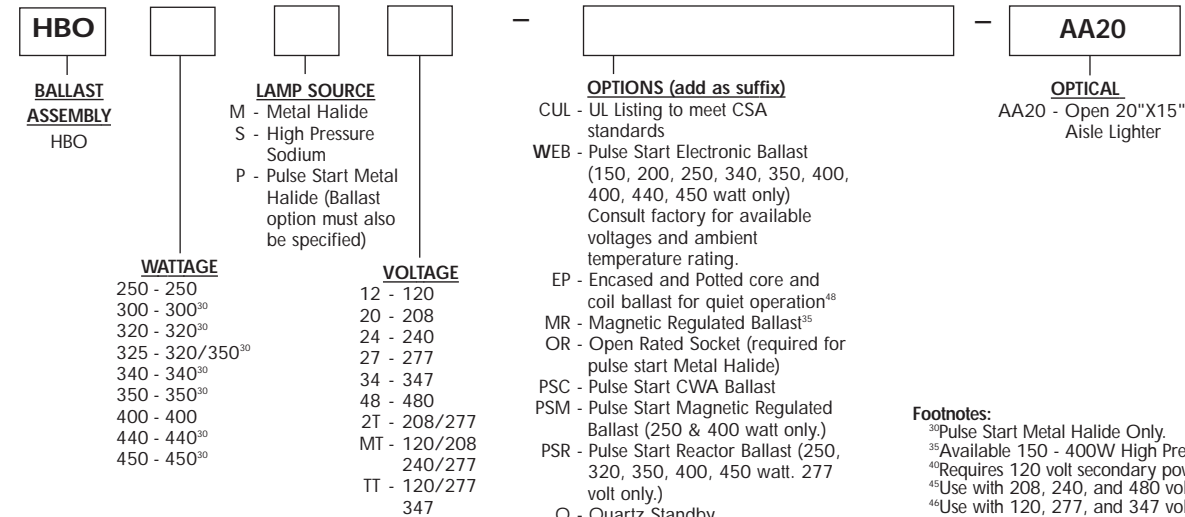


electronic
wattwatcher™
 ballast

Day-Brite® Lighting

ORDERING MATRIX

SAMPLE CATALOG NUMBER: HBO400PMT-PSC-AA20



ACCESSORIES (ORDER SEPARATELY)

- CH - Cover Half for Power Hook (use with PB)
- PB - Power Box for Power Hook (use with CH)
- HP12 - Hook-Cord-Plug Assembly 120V
- HP25 - Hook-Cord-Plug Assembly 208-240V
- HP27 - Hook-Cord-Plug Assembly 277V
- HP48 - Hook-Cord-Plug Assembly 480V
- HMR - Suspension Hook Male
- LMR - Suspension Loop Male
- SCB3 - Ballast Retainer Chain 3'

(Refer to Section 18000 for additional accessories.)

Footnotes:

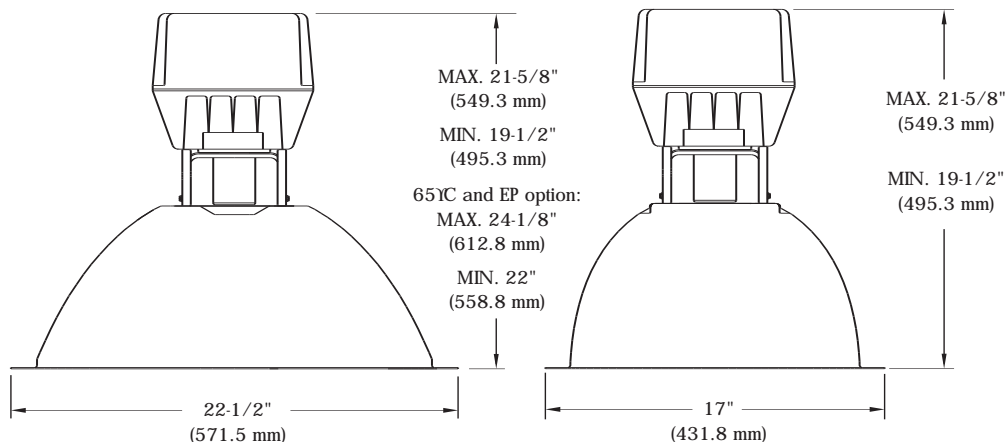
- ³⁰Pulse Start Metal Halide Only.
- ³⁵Available 150 - 400W High Pressure Sodium.
- ⁴⁰Requires 120 volt secondary power supply.
- ⁴⁵Use with 208, 240, and 480 volt.
- ⁴⁶Use with 120, 277, and 347 volt.
- ⁴⁸May require deep ballast housing.
- ⁶⁶Must specify voltage.

General Notes:

All accessories are field installed.
 Mogul base lamp only.
 All options factory installed.
 Ballast and optical shipped in one carton.

Warning: Many Metal Halide lamps are rated for enclosed fixtures only. Some lamps are specifically rated for open fixtures and require an open rated socket (option code-"OR"). Refer to and follow the lamp manufacturer's warnings and instructions.

DIMENSIONS



ENERGY DATA

HIGH PRESSURE SODIUM

CWA BALLAST INPUT WATTS	
250 watt	295 watts
400 watt	464 watts

METAL HALIDE

BALLAST INPUT WATTS		
	CWA	WEB
250 watt	295 watts	263 watts
300 watt	342 watts	-
320 watt	368 watts	-
350 watt	400 watts	363 watts
400 watt	458 watts	413 watts
450 watt	508 watts	465 watts

LOGISTIX^{Pro}™ AISLE LIGHTER

AL-12020.4

LOGISTIX ^{Pro} ™ 400W MH AA20/POSITION 2																													
WIDE SPREAD S/MH = Rack - 1.1 Aisle - 2.7										TEST NO. 21453																			
DISTRIBUTION CURVE		COEFFICIENTS OF UTILIZATION				AVERAGE BRIGHTNESS				ZONAL SUMMARY		CANDLEPOWER																	
	EFFECTIVE FLOOR CAVITY REFLECTANCE 20 PER (pfc=0.20)																												
	CEIL 80 70 50 30 10																												
	WALL 70 50 30 10 70 50 30 10 50 30 10 50 30 10																												
	RCR																												
	0 10910910910910710710710210297 97 97 93 93 93																												
	1 10299 96 93 10097 94 92 93 91 89 89 87 86 86 84 83																												
	2 95 89 83 79 92 87 82 78 83 80 76 80 77 74 78 75 73																												
	3 87 79 73 68 85 78 72 67 75 70 66 72 68 65 70 66 63																												
	4 81 71 64 58 78 70 63 58 67 62 57 65 60 56 63 59 55																												
	5 74 64 56 51 72 63 56 50 61 55 50 59 53 49 57 52 49																												
	6 69 57 50 45 67 57 49 44 55 49 44 53 48 43 52 47 43																												
7 64 52 45 39 62 51 44 39 50 43 39 48 43 39 47 42 38																													
8 59 47 40 35 58 47 40 35 45 39 35 44 39 34 43 38 34																													
9 55 43 36 31 54 43 36 31 42 35 31 41 35 31 40 34 31																													
10 51 40 33 28 50 39 33 28 38 32 28 37 32 28 37 31 28																													
ZONE				END				45		CROSS		Degrees		Lumens		% Lamp		% Fixture		Angle		Avg. Candela		Angle		Avg. Candela			
45				23196				41007		274919		(0-30)		11399		28.5		30.9		0		9669		95		0			
55				30855				26840		153483		(0-40)		19987		50.0		54.2		5		9486		105		0			
65				21128				5515		19844		(0-60)		35118		87.8		95.3		15		12100		115		0			
75				2994				2246		7122		(0-90)		36497		91.2		99.0		25		19542		125		0			
85				1334				953		1080		(90-180)		361		0.9		1.0		35		25238		135		3			
												(0-180)		36858		92.1		100.0		45		35117		145		278			
COMPARATIVE YEARLY LIGHTING ENERGY COST PER 1000 LUMENS = \$3.00 BASED ON 3000 HRS. AND \$.08 PER KWH. LER=80														55		15903		155		834		65		1515		165		0	
														75		333		175		0		85		17					
These photometric results were obtained in the Day-Brite Lighting Laboratory which is NVLAP accredited by the National Institute of Standards and Technology.																													

ADDITIONAL TEST NUMBERS

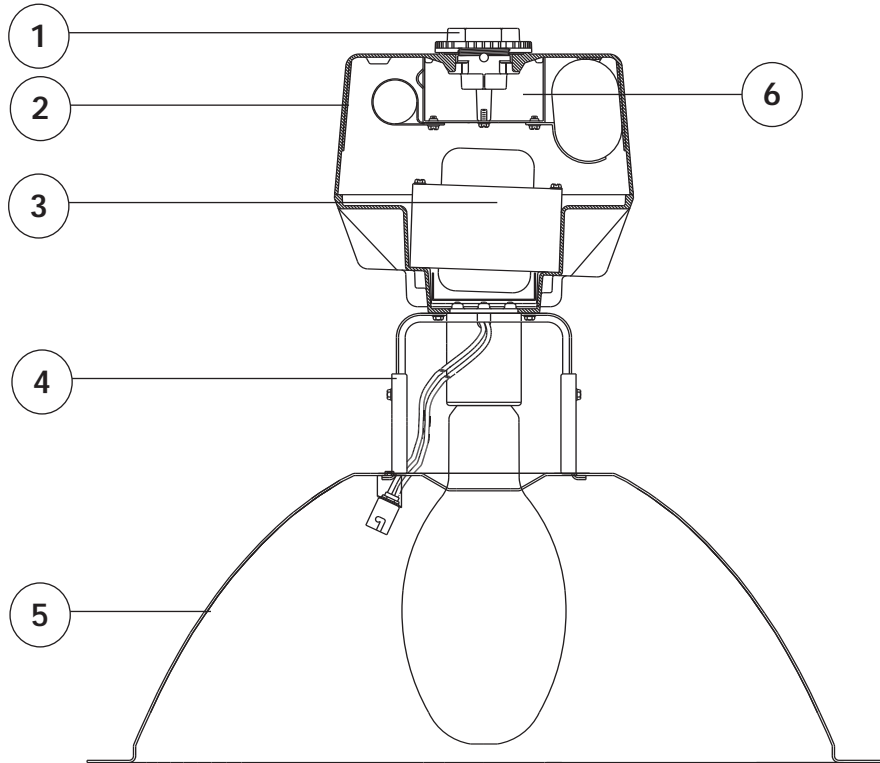
AA20 400 WATT		METAL HALIDE	
SOCKET	S/MH	TEST NUMBER	
POSITION 1	0.9/2.2	21454	
POSITION 2	1.1/2.7	21453	
POSITION 3	1.2/3.0	21452	
POSITION 4	1.7/3.8	21451	
POSITION 5	1.9/4.2	21450	
POSITION 6	2.2/4.8	21449	

AA20 400 WATT		COATED METAL HALIDE	
SOCKET	S/MH	TEST NUMBER	
POSITION 1	0.9/1.7	21460	
POSITION 2	1.0/1.9	21459	
POSITION 3	1.1/2.1	21458	
POSITION 4	1.4/2.6	21457	
POSITION 5	1.5/2.8	21456	
POSITION 6	1.7/2.9	21455	

PRODUCT FEATURES

UL 1598 Listed suitable for damp location and 55°C ambient for all lamp wattages listed with magnetic ballast. Consult factory for ambient temperature rating for electronic ballast. (WEB option).

- 3/4" threaded cast aluminum nut and hub for easy, positive mounting.
- Heavy wall, two piece die cast aluminum housing with white polyester powder finish.
- Day-Brite "Slant 2" ballast mounting for cooler operation. Ballast has high temperature class H insulation and a minimum starting temperature of -40°C (-40°F) for HPS and Pulse Start MH or -30°C (-20°F) for MH.
- Heavy gauge yoke provides positive mounting of reflector to ballast assembly and field adjustable light distribution patterns.
- Hydroformed, heavy gauge aluminum reflector with precision facets and a clear anodized finish.
- Large wiring access with captive retainer screw.



Visit our web site at www.daybritelighting.com