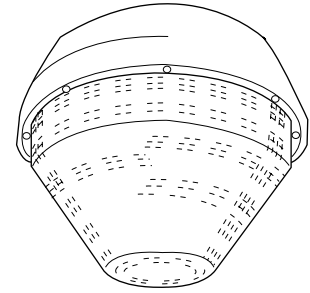


NITE BRITES

GLR - ROUND PARKING GARAGE LUMINAIRE

70-175 watt Metal Halide
70-150 watt High Pressure Sodium

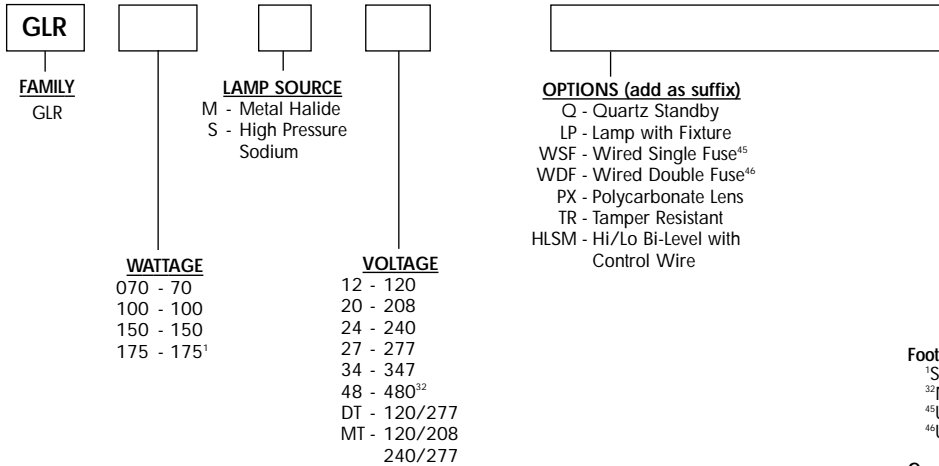


JOB NAME _____
TYPE _____

The GLR Round Parking Garage luminaire is perfect for applications with ceiling heights of 15 feet and below. It provides a wide, even, symmetrical light distribution for parking garages, maintenance areas, industrial areas, corridors, and storage areas.

ORDERING MATRIX

SAMPLE CATALOG NUMBER: GLR175MMT-LP



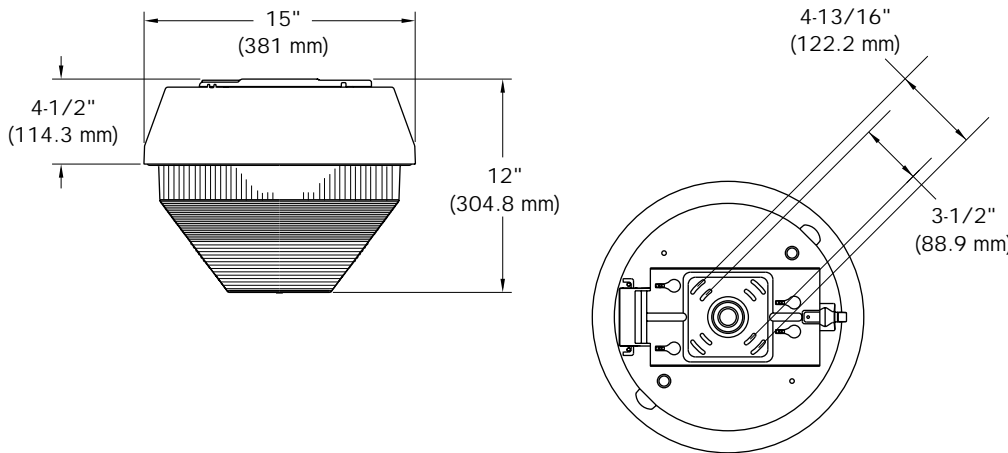
Footnotes:
¹Standard Metal Halide only.
³²Not available in standard Metal Halide.
⁴⁵Use with 208, 240 and 480 volt.
⁴⁶Use with 120, 277 and 347 volt.

General Notes:
All options factory installed.
Medium base lamp only.

ACCESSORIES (order separately)

- GLR-HSK - Hang Straight Kit
- GLR-75 - Round Junction Box, Die-Cast Alum. with 1/2" NPS Threaded Hubs
- GLR-753 - Round Junction Box, Die-Cast Alum. with 3/4" NPS Threaded Hubs
- GLR-UJB1 - Square Junction Box, Die-Cast Alum. with 3/4" NPS Threaded Hubs

DIMENSIONS



ENERGY DATA

HIGH PRESSURE SODIUM

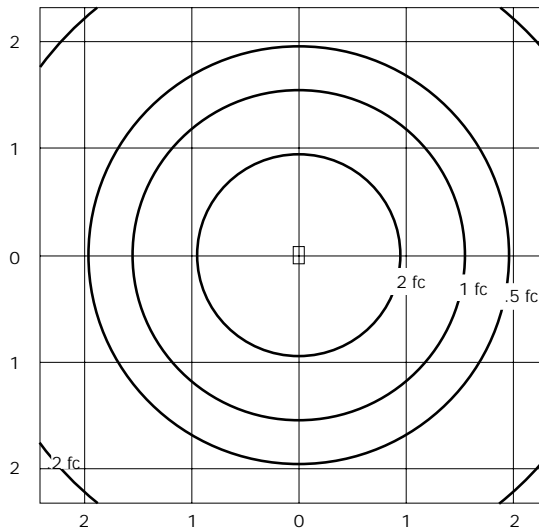
HX BALLAST INPUT WATTS
70 watt-91 watts
100 watt-130 watts
150 watt-188 watts

METAL HALIDE

HX BALLAST INPUT WATTS
70 watt-90 watts
100 watt-129 watts
150 watt-185 watts
CWA BALLAST INPUT WATTS
175 watt-210 watts

WEIGHT = 16 lbs. (max.)

PHOTOMETRICS



UNITS SHOWN IN TERMS OF MOUNTING HEIGHT
INITIAL FOOTCANDLES SHOWN

CATALOG NUMBER: GLR100MMT
 TEST NUMBER: GLR100M
 LAMP: METAL HALIDE
 WATTAGE: 100
 LUMENS: 9000
 TILT ANGLE: 0°
 MOUNTING HEIGHT: 12 FEET

LIGHT LEVEL MULTIPLYING FACTORS	
MOUNTING HEIGHT	MULTIPLIER
15'	0.64
14'	0.73
13'	0.85
12'	1.00
11'	1.19
10'	1.44
9'	1.78
8'	2.25

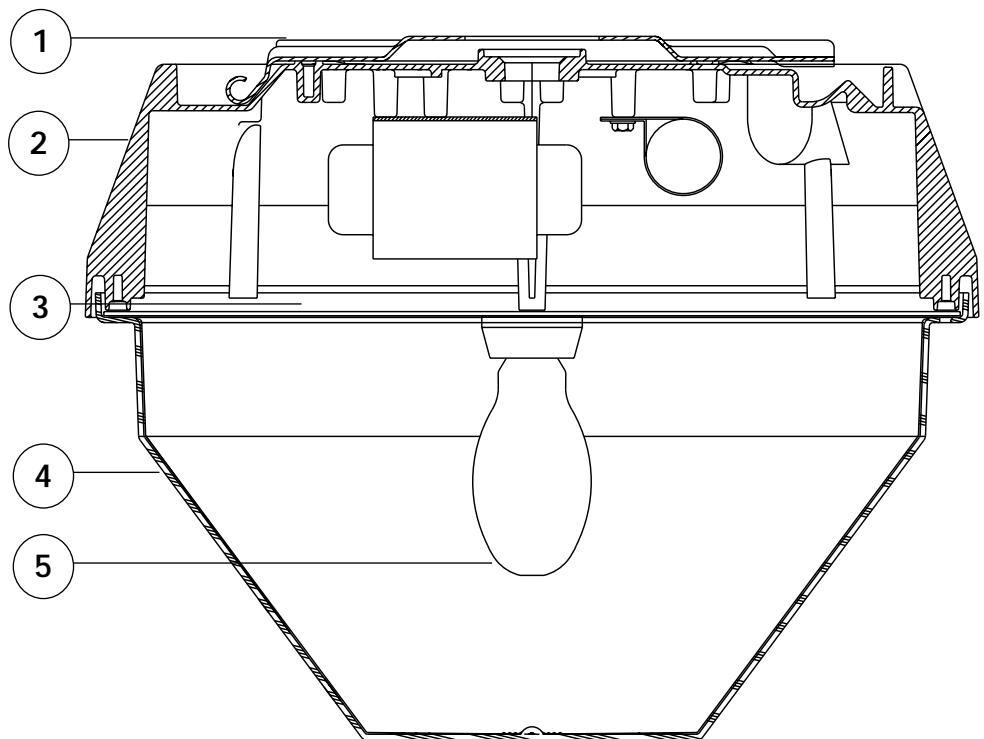
ADDITIONAL TEST NUMBERS

DESCRIPTION/CATALOG NUMBER	TEST NUMBER
GLR070SMT	GLR070S
GLR100SMT	GLR100S
GLR150SMT	GLR150S
GLR070MMT	GLR070M
GLR150MMT	GLR150M
GLR175MMT	GLR175M

PRODUCT FEATURES

UL 1598 Listed suitable for wet location and 25°C ambient for all lamp wattages listed.

1. Quick mount plate permits easy installation to recessed, surface or pendant mounted junction boxes.
2. Rugged die cast aluminum housing with polyester powder finish provides excellent heat dissipation and helps extend component life.
3. Die formed, heavy gauge reflector with high reflectance white polyester powder finish helps provide a smooth, even, IES Type V symmetrical beam pattern.
4. Acrylic prismatic refractor provides 20% uplight with main beam at 70° that is optimally designed for parking garages. Polycarbonate lens available.
5. Luminaire is available pre-lamped, which does not need to be opened for installation. Hang, mount, wire, and lock into place.



Visit our web site at www.daybritelighting.com

776 South Green Street Tupelo, MS 38804 Phone: 662-842-7212 Fax: 662-841-5501

AS-42030

189 Bullock Drive Markham, Ontario Canada L3P 1W4 Phone: 905-294-9570 Fax: 905-294-8911
 Day-Brite Lighting reserves the right to make changes without notice. ©February 2002 DM2.5M0202
 Day-Brite Lighting is a Genlyte Thomas Group.

 **Day-Brite Lighting**