

# NITE BRITES

JOB NAME \_\_\_\_\_

TYPE \_\_\_\_\_

## BIS-RLM SERIES - BELLE

50-175 watt Metal Halide  
35-150 watt High Pressure Sodium  
26-60 watt Compact Fluorescent  
18 watt LED



The RLM Series offers unique designs and old standards to enhance the aesthetic appeal of restaurants, retail stores, businesses, and other areas where decorative reflector units are desired.

### ORDERING MATRIX

SAMPLE CATALOG NUMBER: BIS050MXX-BEL-GEP-GU-FG

<b>BIS</b>			<b>XX</b>	<b>BEL</b>			
<b>FAMILY</b> BIS		<b>LAMP SOURCE</b> C - Compact Fluorescent M - Metal Halide S - High Pressure Sodium I - Incandescent L - LED		<b>REFLECTOR</b> BEL - Belle		<b>GUARD</b> Blank - No Guard GU - Guard	
	<b>WATTAGE</b>		<b>VOLTAGE</b>		<b>GLOBE</b>		<b>PAINT COLORS</b>
	035 - 35 <sup>23</sup> 050 - 50 <sup>5</sup> 070 - 70 100 - 100 150 - 150 175 - 175 <sup>1</sup> 200 - 200 <sup>96</sup> 26C - 26WCFL <sup>72</sup> 32C - 32WCFL <sup>72</sup> 42C - 42WCFL <sup>72</sup> 57C - 57WCFL <sup>72</sup> 60C - 60WCFL <sup>72</sup> 18W - 18W Neutral White 18A - 18W Amber 18B - 18W Blue 18G - 18W Green 18R - 18W Red		XX - Universal		Blank - No Globe GEC - Elongated Clear GEP - Elongated Prismatic GES - Elongated Sandblast (standard for LED) GEO - Elongated Opal GRO - Round Opal (100W max. incandescent & 26C only) GFO - Flat Opal (100W max. incandescent only) GEA - Elongated Amber GEB - Elongated Blue GER - Elongated Red GEG - Elongated Green		WT - White BK - Black BZ - Bronze GY - Gray AL - Aluminum GV - Galvanized SY - Sunflower Yellow FR - Fire Red LB - Cornflower Blue DB - Deep Ocean Blue FG - Forest Green GB - Gloss Black CP - Metallic Copper BM - Metallic Bronze NK - Metallic Nickel GS - Greystone BS - Brownstone

**Footnotes:**

- <sup>1</sup>Metal Halide only.
- <sup>5</sup>DT only.
- <sup>23</sup>120V High Pressure Sodium Only.
- <sup>72</sup>Compact Fluorescent Only.
- <sup>96</sup>Incandescent Only.

**General Notes:**

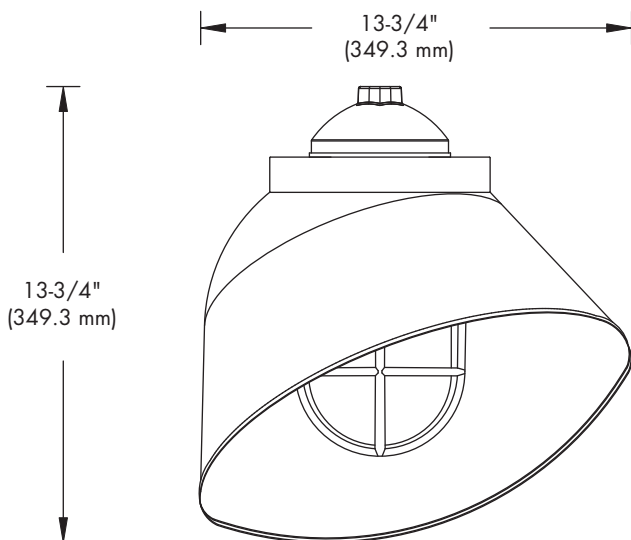
- All options are factory installed.
- Medium base lamp only.
- GX24q lamp base for 26-57W compact fluorescent.
- 2G8 lamp base for 60W compact fluorescent.
- All accessories are field installed.

**Warning:** Refer to and follow the lamp manufacturer's warnings and instructions.

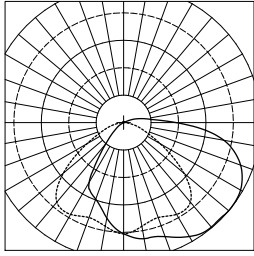
**ACCESSORIES (order separately)**

For additional descriptions of accessories, refer to sheet numbers DC-47900 and DC-47910.

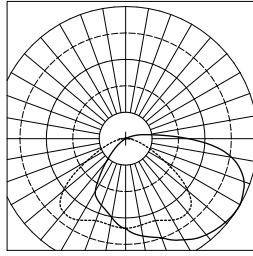
### DIMENSIONS



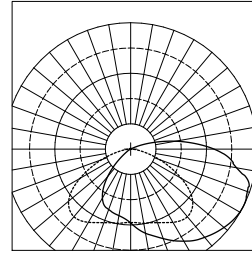
**PHOTOMETRICS**



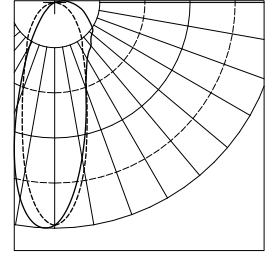
**BIS100IXX-BEL-GEP**  
 TEST NUMBER: 26256  
 LAMP: 100W A19  
 LUMENS: 1,680  
 MOUNTING HEIGHT: 12 FEET



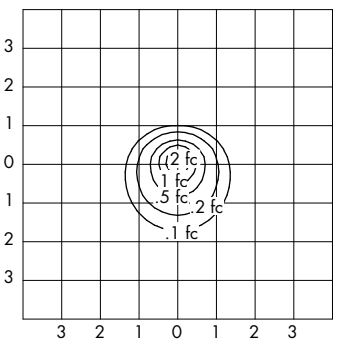
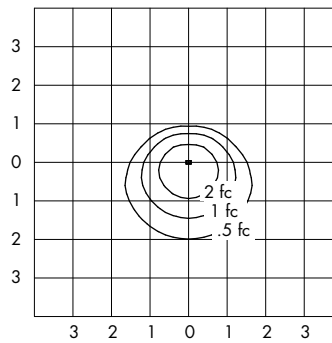
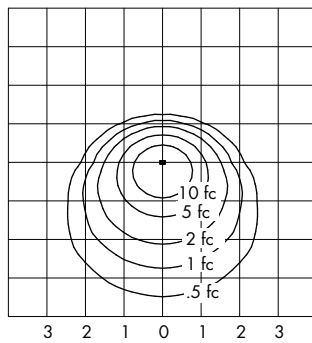
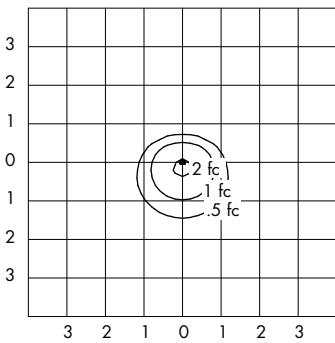
**BIS175MXX-BEL-GEP**  
 TEST NUMBER: 26257  
 LAMP: 175W MH, COATED  
 LUMENS: 15,000  
 MOUNTING HEIGHT: 12 FEET



**BIS42CCXX-BEL-GEP**  
 TEST NUMBER: 26299  
 LAMP: 42W CFL  
 LUMENS: 3,200  
 MOUNTING HEIGHT: 12 FEET



**BIS18WLXX-BEL-GES**  
 TEST NUMBER: 27592  
 LAMP: 18W LED NEUTRAL WHITE  
 LUMENS: 700  
 MOUNTING HEIGHT: 12 FEET



UNITS SHOWN IN TERMS OF MOUNTING HEIGHT  
 INITIAL FOOTCANDLES SHOWN

**PRODUCT FEATURES**

- UL 1598 Listed for wet location and 25°C ambient for all lamp wattages listed.
- 1. 1/2" NPT threaded hub for easy, positive mounting.
- 2. Die cast aluminum pendant mount assembly with polyester powder finish.
- 3. Spun aluminum reflector assembly with polyester powder finish.
- 4. Optional heat and shock resistant glass optical.
- 5. Optional die cast aluminum guard with polyester powder finish.

