

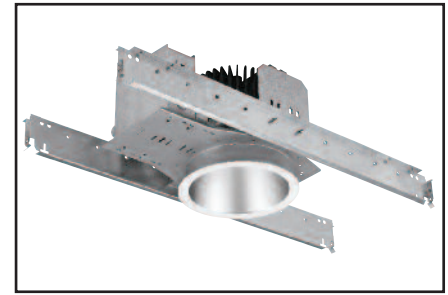
# OM6LED - 2000\*

6" LED 1900-2450 Lumen Downlight  
with MesoOptics® & Remote Phosphor

CAT. NO:

TYPE:

PROJECT:



## PRODUCT INFORMATION

**1. Omega mixing chamber/optical assembly:** Remote phosphor technology provides increased efficiency and color stability by redirecting back reflected light. Patented Meso Optic and phosphor lens assembly converts high brightness blue light into white light for an even diffused pattern, eliminating bright spots often created by individual LEDs. This technology provides consistent, stable color with CCT color control of +/- 100K over the life of the light engine and provides 20% higher efficiency.

**2. LED Array:** The LED Array consist of a metal core circuit board with 16 high brightness royal blue LEDs.

**3. Thermal Management:** A proprietary die-cast aluminum heat sink allows for easy and toolless installation to the housing yoke. The heat sink is designed to properly maintain junction temperatures in recessed non-ic applications to provide reliable performance over the life of the light engine. The heat sink incorporates alignment tabs to properly position the heat sink with the housing and rust resistant springs to secure the heat sink and reflector.

**4. Housing:** Precision die stamped 18ga galvanized steel mounting pan and yoke assembly. Allows for ceiling thickness up to 1-3/8". Yoke supports weight of heat sink and light engine assembly to prevent stress on finished reflector.

**5. Reflector:** Precision spun .050 aluminum reflectors are self flanged and snap to heat sink for consistent alignment to the optical assembly. Provides 50 degree visual cutoff to source and source image.

**6. Lifetime/Lumen Maintenance:** 60,000 hour lifetime at 70% lumen maintenance light engine. (L70)

**7. C channels:** Revelation c-channels are included and provide vertical and horizontal adjustments. These allow for fast and adjustment free installation in T-bar ceilings with 1/2" tile. C-channels simply snap on grid for proper alignment in 24" O.C. grid systems.

**8. Junction Box:** 16 ga galvanized steel. UL listed for 8 No. 12 AWG, 90C through branch circuit conductors. Allows inspection below ceiling.

**9. Color:** Available in three CCT options, 3000K, 3500K or 4000K with 80CRI +/-2%.

**10. Electrical:** The power supply/driver features Advance Intelli-volt 120-277VAC 50/60hz, with 0-10V analog dimming capability. The power supply is overload and short circuit protected as well as thermally regulated to prevent overheating. Sound rating A. Refer to dimming compatability spec sheet for complete details. Driver has rated lifetime of 50,000 hours. 70C maximum operating temperature, -20C minimum starting temperature.

Input Voltage	Input Current	Drive Current	Input Power	LED Power	THD %	Power Factor
120	0.36	350mA	39	35.4	10%	>0.9
277	0.17	520mA	39	35.4	10%	>0.9

**11. Service:** Modular construction allows for easy maintenance of complete system below ceiling. Removing reflector provides easy access to heat sink and light engine assembly. This assembly may be removed by de-pressing the springs which attach to the yoke and then simply opening protective cover and unplugging push in connector from LED board.

**12. ETL, cUL, IBEW** (Suitable for wet locations)

**13. Photometric testing** performed using IESNA - LM79 procedures. LED lifetime testing performed using IESNA - LM80 procedures.

**14. 5 year Warranty**

Canadian Specifications may vary from these shown, consult Canadian Division.



\*2000 lumens is an average lumen value. Lumen values vary from 1900 to over 2400 lumens depending on kelvin temperature and reflector type.

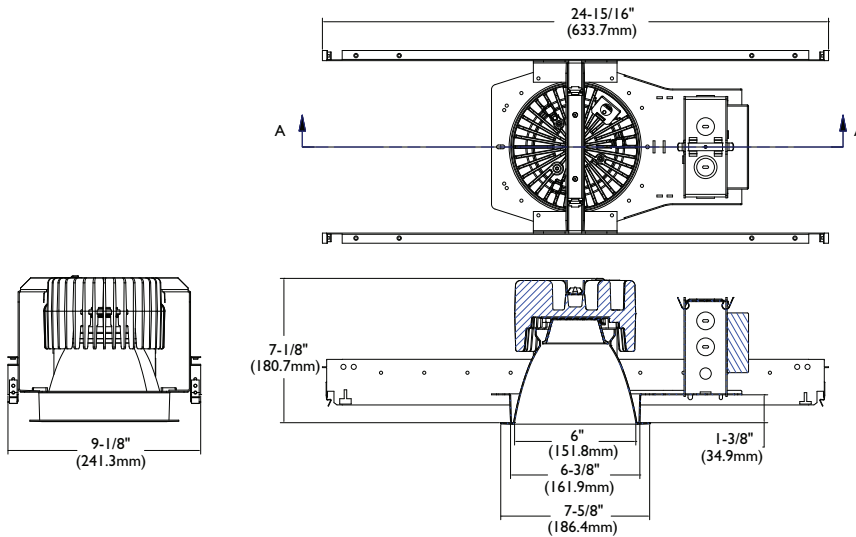
HOUSING - ROUGH IN				LIGHT ENGINE - REFLECTOR				
Omega 6"	Wattage	Supply Voltage	Option	Omega 6"	CCT	Distribution	Reflector Finish	Accessories
OM6LED	39	120	EM - Bodine	R6LED	30K 3000K	MD Medium	CS Clear Specular	SA6
	39 input watts	120 VAC	BSL17C		35K 3500K	WD Wide	CSS Clear Semi-Specular	slope ceiling adapter (must specify in 5° increments)
		50/60Hz	Emergency Back-up		40K 4000K		HZ Haze	
		277					GS Gold Specular	
		277 VAC					WT Wheat	
		50/60Hz					PW Pewter	OMTCA6
							BZ Bronze	thick ceiling adapter (specify finish to match reflector; ie. CS)
							WH White	
							FF Finish Flange (as suffix to color)	

**FIVE YEAR Warranty**

\*Lumen output varies depending on CCT and distribution, refer to specific IES files for details.

DIMENSIONS

6

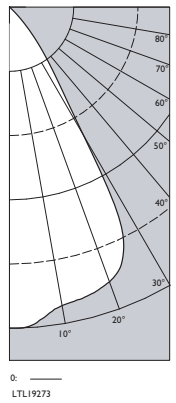


OM6LED39 | 20-R6LED35KMDCS

**Clear Specular Reflector**  
Report number: 19273  
Lamp: (1) 22 BLUE LEDS  
S/MH Ratio (0 degree plane): .86  
Total Fixture Lumens: 2102  
IES file: LTL19273.IES  
Beam Angle: 59.30  
Luminaire Efficacy: 52.6 LPW

LIGHTING PERFORMANCE DATA		
CEILING HEIGHT* (FT.)	INITIAL FOOTCANDLES	BEAM DIAMETER (FT.-IN.)
8	77.8	6 - 3
10	41.8	8 - 6
12	26.1	10 - 10
14	17.8	13 - 1
16	12.9	15 - 4

DISTRIBUTION CURVE



DEGREES	CANDELA		FOOT-LAMBERTS
	AT 0°	AT 90°	
90	0	0	
85	0	0	0
75	1	1	62
65	1	1	38
55	3	3	84
45	77	77	1742
35	517	517	
25	1978	1978	
15	2194	2194	
5	2321	2321	
0	2352	2352	

COEFFICIENTS OF UTILIZATION ZONAL CAVITY METHOD

Effective Floor Cavity Reflectance 0.20

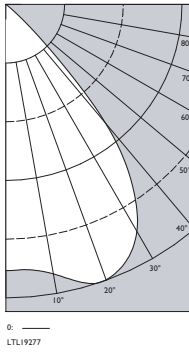
RC	80			70			50		
	50	30	50	30	50	30	50	30	
RW	50	30	50	30	50	30	50	30	
0	118	118	118	118	115	115	115	115	
1	113	111	109	107	111	109	111	109	
2	109	104	100	96	106	102	106	102	
3	103	96	93	89	101	95	101	95	
4	97	91	85	81	96	90	96	90	
5	93	85	80	76	92	84	92	84	
6	89	81	75	70	88	80	88	80	
7	84	76	70	66	83	76	83	76	
8	81	71	66	61	80	70	80	70	
9	77	68	63	58	76	68	76	68	
10	73	65	58	55	72	64	72	64	

OM6LED39 | 20-R6LED35KWDCS

**Clear Specular Reflector**  
Report number: 19277  
Lamp: (1) 22 BLUE LEDS  
S/MH Ratio (0 degree plane): 1.2  
Total Fixture Lumens: 2391  
IES file: LTL19277.IES  
Beam Angle: 82.27  
Luminaire Efficacy: 59.8 LPW

LIGHTING PERFORMANCE DATA		
CEILING HEIGHT* (FT.)	INITIAL FOOTCANDLES	BEAM DIAMETER (FT.-IN.)
8	49.6	9 - 7
10	26.7	13 - 1
12	16.6	16 - 7
14	11.3	20 - 1
16	8.2	23 - 7

DISTRIBUTION CURVE



DEGREES	CANDELA		FOOT-LAMBERTS
	AT 0°	AT 90°	
90	0	0	
85	0	0	0
75	1	1	62
65	2	2	76
55	8	8	223
45	310	310	7014
35	1243	1243	
25	1600	1600	
15	1621	1621	
5	1502	1502	
0	1501	1501	

COEFFICIENTS OF UTILIZATION ZONAL CAVITY METHOD

Effective Floor Cavity Reflectance 0.20

RC	80			70			50		
	50	30	50	30	50	30	50	30	
RW	50	30	50	30	50	30	50	30	
0	118	118	118	118	115	115	115	115	
1	112	110	107	105	111	108	111	108	
2	107	102	96	93	105	100	105	100	
3	101	93	88	83	98	92	98	92	
4	94	86	80	76	93	84	93	84	
5	89	80	73	68	88	79	88	79	
6	83	73	68	63	81	72	81	72	
7	79	68	61	57	78	68	78	68	
8	75	64	56	53	72	63	72	63	
9	69	59	53	48	68	58	68	58	
10	66	56	48	45	65	55	65	55	

Additional photometric test files are available @ [omegalighting.com](http://omegalighting.com)



PHILIPS OMEGA  
776 South Green St., Tupelo, MS 38804  
Phone 662.842.7212 FAX 662.841.5501

PHILIPS DAY-BRITE CANADA  
189 Bullock Drive, Markham, Ontario, Canada L3P 1W4  
Phone 905.294.9570 FAX 800.268.0003