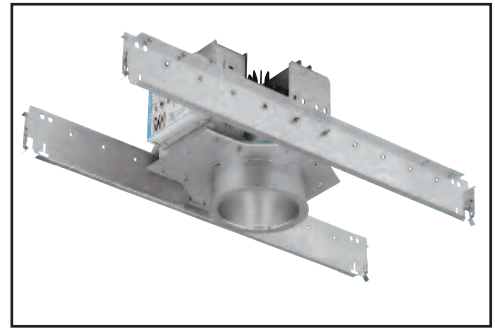


# OM4LED

4" LED 1000 Lumen LED Wall Wash  
with MesoOptics® & Remote Phosphor



CAT. NO:	
TYPE:	PROJECT:

## PRODUCT INFORMATION

**1. Omega mixing chamber/optical assembly:** Remote phosphor technology provides increased efficiency and color stability by redirecting back reflected light. Patented Meso Optic and phosphor lens assembly converts high brightness blue light into white light for an even diffused pattern, eliminating bright spots often created by individual LEDs. This technology provides consistent, stable color with CCT color control of +/- 100K over the life of the light engine and provides 20% higher efficiency.

**2. LED Array:** The LED Array consist of a metal core circuit board with 16 high brightness royal blue LEDs.

**3. Thermal Management:** A proprietary die-cast aluminum heat sink allows for easy and toolless installation to the housing yoke. The heat sink is designed to properly maintain junction temperatures in recessed non-ic applications to provide reliable performance over the life of the light engine. The heat sink incorporates alignment tabs to properly position the heat sink with the housing and rust resistant springs to secure the heat sink and reflector.

**4. Housing:** Precision die stamped 18ga galvanized steel mounting pan and yoke assembly. Allows for ceiling thickness up to 1-3/8". Yoke supports weight of heat sink and light engine assembly to prevent stress on finished reflector.

**5. Reflector:** Precision spun .050 aluminum reflectors are self flanged and snap to heat sink for consistent alignment to the optical assembly. Provides 50 degree visual cutoff to source and source image.

**6. Lifetime/Lumen Maintenance:** 50,000 hour lifetime at 70% lumen maintenance light engine.

**7. C channels:** Revelation c-channels are included and provide vertical and horizontal adjustment. These allow for fast and adjustment free installation in T-bar ceilings with 1/2" tile. C-channels simply snap on grid for proper alignment in 24" O.C. grid systems.

**8. Junction Box:** 16 ga galvanized steel. UL listed for 8 No. 12 AWG, 90C through branch circuit conductors. Allows inspection below ceiling.

**9. Color:** Available in three CCT options, 3000K, 3500K or 4000K with 80CRI +/-2%.

**10. Electrical:** The power supply/driver features Advance Intelli-volt 120-277VAC 50/60hz, with 0-10V analog dimming capability. The power supply is overload and short circuit protected as well as thermally regulated to prevent overheating. Sound rating A. Refer to dimming compatability spec sheet for complete details. Driver has rated lifetime of 50,000 hours.

Input Voltage	Input Current	Drive Current	Input Power	LED Power	THD %	Power Factor
120	0.167	350mA	20	18	10%	>0.9
277	0.072	350mA	20	18	10%	>0.9

**11. Service:** Modular construction allows for easy maintenance of complete system below ceiling. Removing reflector provides easy access to heat sink and light engine assembly. This assembly may be removed by de-pressing the springs which attach to the yoke and then simply opening protective cover and unplugging push in connector from LED board.

**12. ETL, cUL, IBEW** (Suitable for wet locations)

**13. Photometric testing** performed using IESNA - LM79 procedures. LED lifetime testing performed using IESNA - LM80 procedures.

**14. 5 year Warranty**

Canadian Specifications may vary from these shown, consult Canadian Division.



4

CATALOG SYSTEM AND OPTIONS				EXAMPLE OF COMPLETE CATALOG NUMBER: OM4LED20I20-R4LED30KWWCS			
HOUSING - ROUGH IN				LIGHT ENGINE - REFLECTOR			
Omega 4"	Wattage	Supply Voltage	Option	Omega 4"	CCT	Reflector Type	Reflector Finish
OM4LED	20 20 input watts	120 120 VAC 50/60Hz 277 277 VAC 50/60Hz	EM - Bodine BSLI 7C Emergency Back-up	R4LED	30K 3000K 35K 3500K 40K 4000K	WW wall wash	CS Clear Specular CSS Clear Semi-Specular HZ Haze GS Gold Specular WT Wheat PW Pewter BZ Bronze WH White FF Finish Flange (as suffix to color)
<p><b>FIVE YEAR Warranty</b></p> <p>* Lumen output varies depending on CCT and distribution, refer to specific IES files for details.</p>							

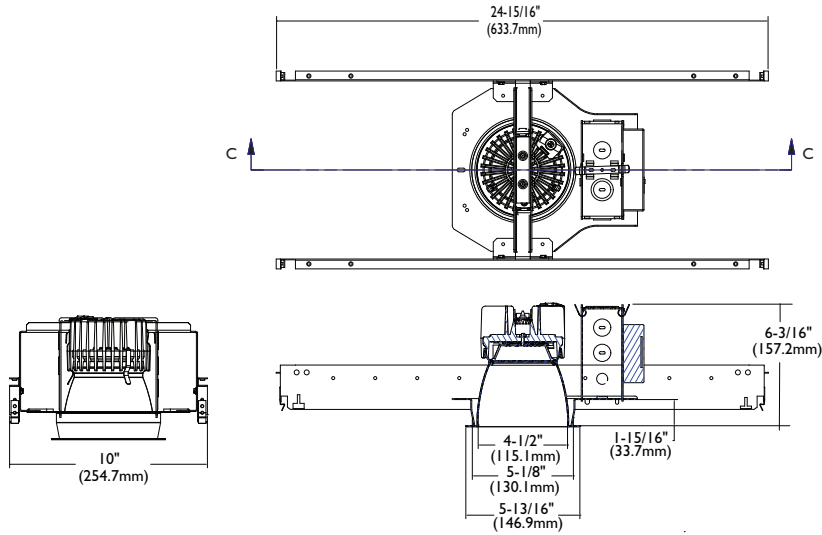


PHILIPS OMEGA  
776 South Green St., Tupelo, MS 38804  
Phone 662.842.7212 FAX 662.841.5501  
www.omegalighting.com

PHILIPS DAY-BRITE CANADA  
189 Bullock Drive, Markham, Ontario, Canada L3P 1W4  
Phone 905.294.9570 FAX 800.268.0003  
www.day-britecanada.com

DIMENSIONS

4



PHOTOMETRICS

**OM4LED20 | 20-R4LED35KWWCS**

Wall Washer with Clear Reflector

Source: (1) 22 Blue LEDs

Reflectances: 80% ceiling, 50% walls, 20% floor

IES File: 28791.IES

Distance from ceiling (ft)	3' from wall, 3' on center		3' from wall, 4' on center		2'-6" from wall, 3' on center		2'-6" from wall, 2'-6" on center	
	Below Fixtures	Between Fixtures	Below Fixtures	Between Fixtures	Below Fixtures	Between Fixtures	Below Fixtures	Between Fixtures
1	2.0	2.0	2.0	2.0	5.0	4.0	3.0	3.0
2	7.0	7.0	6.0	5.0	14.0	13.0	12.0	11.0
3	12.0	11.0	10.0	9.0	17.0	15.0	17.0	17.0
4	13.0	12.0	11.0	10.0	17.0	17.0	18.0	17.0
5	13.0	13.0	11.0	10.0	15.0	15.0	16.0	16.0
6	12.0	12.0	9.0	10.0	13.0	12.0	14.0	13.0
7	10.0	10.0	8.0	9.0	11.0	11.0	11.0	11.0
8	9.0	9.0	8.0	8.0	9.0	9.0	10.0	10.0
9	8.0	8.0	7.0	7.0	8.0	8.0	9.0	8.0

Additional photometric test files are available @ [omegalighting.com](http://omegalighting.com)



PHILIPS OMEGA  
 776 South Green St., Tupelo, MS 38804  
 Phone 662.842.7212 FAX 662.841.5501  
[www.omegalighting.com](http://www.omegalighting.com)

PHILIPS DAY-BRITE CANADA  
 189 Bullock Drive, Markham, Ontario, Canada L3P 1W4  
 Phone 905.294.9570 FAX 800.268.0003  
[www.day-britecanada.com](http://www.day-britecanada.com)