

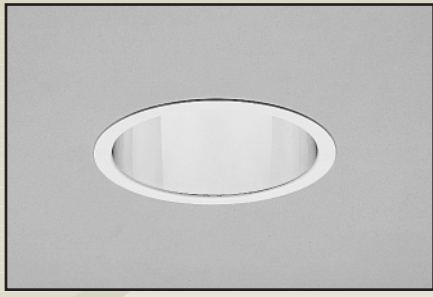
OM16165QL30/40K

16" QL Lamp Open Reflector Vertical Downlights

CAT. NO:

TYPE:

PROJECT:



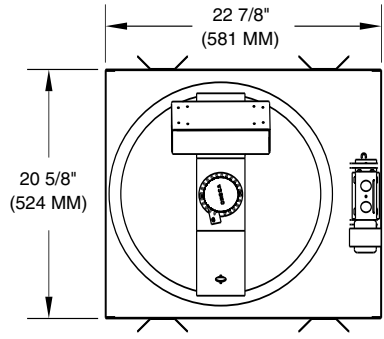
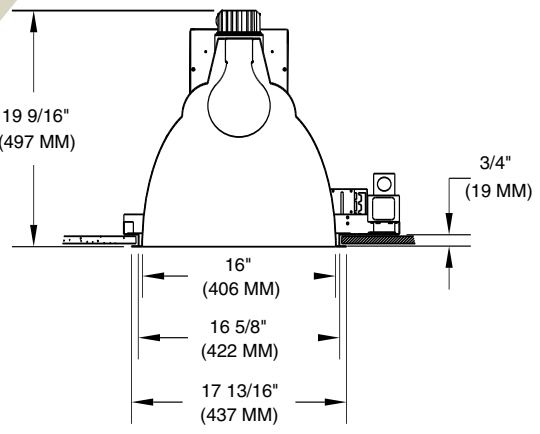
PRODUCT INFORMATION

Applications

Ultra long **100,000 hour** life, every efficient lighting system with 80+ CRI. Low brightness reflector designed for use in as general area lighting with broad, uniform distribution in hard to reach or extended use areas such as lobbies, schools, transportation areas, banks, malls and offices.

Specifications

- Mounting pan** - Precision die-formed 16 gauge bonderized steel mounting pan, yoke assembly and ballast tray.
- Installation** - Mounting pan has pre-installed C-channel with vertical and horizontal adjustments. Ballast, junction box and mounting brackets are accessible from below ceiling. For 27" flat bar hanger pair, specify Q1031 accessory, ordered separately.
- Reflectors** - Precision spun .051 aluminum, self flanged with clear specular Alzak finish. Reflector is screw mounted for positive attachment to socket assembly. Standard flat flange is painted white. Optional polished flange matching reflector finish available, add FF to catalog number.
- Socket enclosure** - Die cast aluminum heat sink, lamp at optical focal plane of reflector for maximum performance.
- Junction box** - Extra large 43.75-cubic inch 16 gauge galvanized steel with snap-on covers. Approved for through wiring with up to 8 #12 AWG conductors.
- Thermal protection** - A thermal protection device which meets all U.L. and NEC requirements is standard.



* Canadian Specifications may vary from these shown, consult Canadian Division.

16

CATALOG SYSTEM AND OPTIONS					EXAMPLE OF COMPLETE CATALOG NUMBER: OM16165QL30K-CS-120		
OMEGA Apr.	Lamp**	Lamp Type	Lamp (by others)	Reflector Finish*	Frame Options	Supply Voltage	
OM16	165	QL Induction	30K 40K	CS Clear Specular CSS Clear Semi-Specular HZ Haze GS Champagne Gold Specular WT Wheat PW Pewter FF Finish Flange (As suffix to color)	FZ120 Fusing FZ277 Fusing FB Flat Bar Hangers	120 277	



FIVE YEAR
Warranty

*Consult factory for other reflector finishes.
** Lamp supplied with fixture.

OM16165QL40K-CS

Photometric Data

Clear Specular Reflector

Report Number: 219081

Lamp: QL165W

Total Lumens: 12000

Fixture Efficiency: = 62.8%

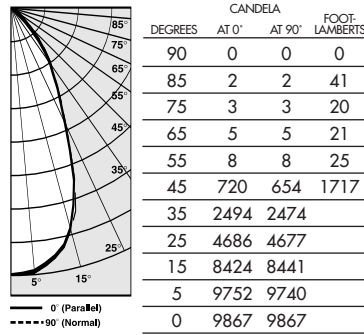
IES File: F219081.IES

S/MH Ratio = 0.8

Beam Angle: 48.73

LIGHTING PERFORMANCE DATA		
CEILING HEIGHT* (FT.)	INITIAL FOOTCANDLES	BEAM DIAMETER (FT.-IN.)
8	326.2	4-12
10	175.4	6-10
12	109.3	8-7
14	74.6	10-5
16	54.1	12-3

DISTRIBUTION CURVE



COEFFICIENTS OF UTILIZATION
ZONAL CAVITY METHOD

Effective Floor Cavity Reflectance 0.20

RC	80		70		50	
	50	30	50	30	50	30
0	75	75	73	73	70	70
1	70	68	68	67	66	65
2	65	63	64	62	62	60
3	61	58	60	57	58	56
4	57	54	56	53	55	52
5	53	50	53	49	52	49
6	50	47	50	46	49	46
7	47	44	47	43	46	43
8	45	41	44	41	44	41
9	42	39	42	39	41	38
10	40	37	40	36	39	36

*Readings at working plane, 2'6" above floor. Beam Angle and Diameter Cutoff at 50% of max. Candlepower Coefficients used at effective reflectances of: 70% Ceiling, 50% Walls, 20% Floor

To convert values for optional reflector colors, multiply by:
Gold .90 Bronze .82 Pewter .87

Additional photometric test files are available @ omegalighting.com



OMEGA LIGHTING:
776 South Green St., Tupelo, MS 38804
Phone 662.842.7212 FAX 662.841.5501

CANADIAN DIVISION:
189 Bullock Drive, Markham, Ontario, Canada L3P 1W4
Phone 905.294.9570 FAX 800.268.0003