

CLD/CLPD

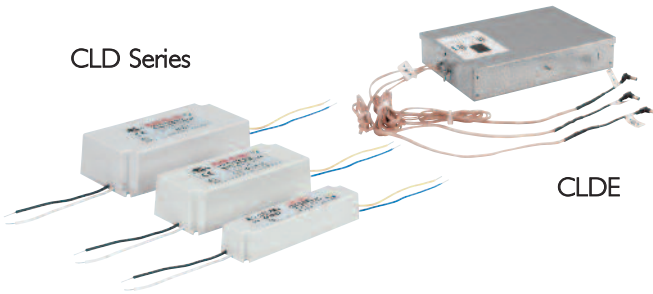
LED Display Luminaire Power Supplies

Catalog Number: _____

Type: _____

Project: _____

CLD Series



Description

The Capri LED Display luminaire system offers a wide variety of power supply choices from wall outlet plug-in supplies to hard wired systems, in 18-60 watts. These reliable power supplies will provide the necessary current to the Capri LED Display luminaires to meet virtually every application need.

Features

- Powers the Capri LED Display Luminaire series.
- Pre-wired plug-in supplies in 18 watt and 25 watt capacities.
- Hard-wired supplies in 20 watt, 40 watt and 60 watt capacities.
- Hard-wired systems are IP67 rated.
- Formed steel and powder coated electrical enclosure available for hard-wired systems.
- Wide variety of connectors styles and lengths that easily plug into the Capri LED Display Luminaire.

CATALOG SYSTEM AND OPTIONS

SAMPLE CATALOG NUMBER: CLPD18120

| Enclosure | Power Supplies | Voltage | Accessories (ordered separately) |
|--|---|--------------------------------------|---|
| BLANK No Enclosure | CLPD18¹ LED PS w/plug, 18w capacity CLPD25¹ LED PS w/plug, 25w capacity | U 120-240V I20 120V | CUCEC60 60" End to End Connector CUCEC48 48" End to End Connector CUCEC30 30" End to End Connector CUCEC10 10" End to End Connector CUCWC180 180" Plug to Wire Connector CUCWC120 120" Plug to Wire Connector CUCWC30 30" Plug to Wire Connector CUCWC10 10" Plug to Wire Connector CUCMC Mounting Clips |
| CLDE² Remote Driver Enclosure | CLD20 LED Remote Driver, 20w capacity CLD40 LED Remote Driver, 40w capacity CLD60 LED Remote Driver, 60w capacity | | |

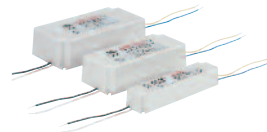
Foot Notes:

1. CLPD available in 120 volt only.
2. Consult factory for specific CLDE power supply requirements.

APPLICATION CAPACITY



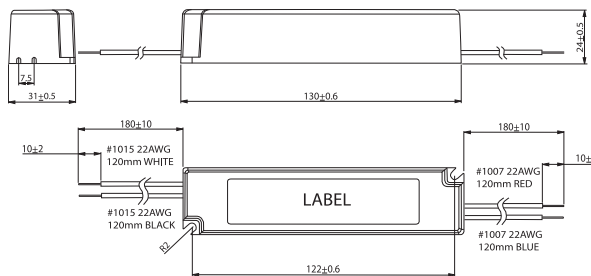
| Capri LED Display Luminaire Power Supply | | |
|--|--------|------------------|
| Model No. | | Max. No. Modules |
| CLPD18120 | CUCL05 | 2 |
| | CUCL10 | 1 |
| | CUCL15 | 1 |
| CLPD25120 | CUCL05 | 3 |
| | CUCL10 | 1 |
| | CUCL15 | 1 |
| | CUCL20 | 1 |



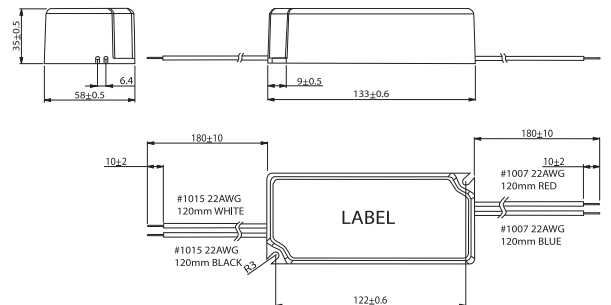
| Capri LED Display Luminaire Power Supply | | |
|--|--------|------------------|
| Model No. | | Max. No. Modules |
| CLD20 | CUCL05 | 3 |
| | CUCL10 | 1 |
| | CUCL15 | 1 |
| CLD40 | CUCL05 | 6 |
| | CUCL10 | 3 |
| | CUCL15 | 2 |
| | CUCL20 | 1 |
| CLD60 | CUCL05 | 9 |
| | CUCL10 | 4 |
| | CUCL15 | 3 |
| | CUCL20 | 2 |

DIMENSIONS

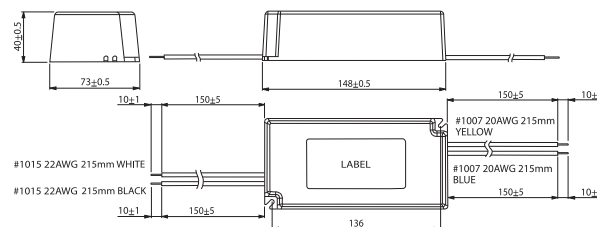
CLD20



CLD40



CLD60

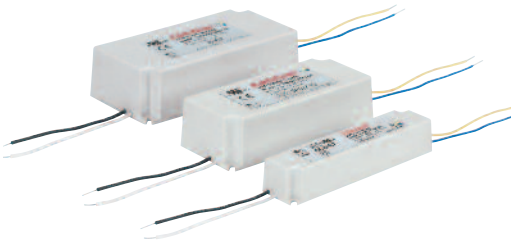


REV. 7/10

ELECTRICAL INFORMATION



| Model Number | | CLPD1812 | CLPD2512 |
|-----------------------|--------------------------------|---|------------|
| Input | Voltage Range | 90~264 VAC Universal Input | |
| | Frequency Range | 47~63Hz | |
| | Efficiency (Typical) | 81% | |
| | AC Current | 0.5/100VAC | 0.7/100VAC |
| | Inrush Current (max.) | 35A/115VAC | 25A/115VAC |
| | Leakage Current | 0.25mA/240VAC | |
| Output | DC Voltage | 12V | |
| | Rated Current | 1.5A | 2.08A |
| | Rated Power | 18W | 25W |
| | Protection | Overload, Over Voltage | |
| | Operating Ambient Temperature | -0° C~+50°C | |
| Environmental Ratings | Storage Ambient Temp./Humidity | -20~+85, 10~95% RH | |
| | Relative Humidity | 20%~+90 RH non-condensing | |
| | Dimensions (mm) L x W x H | 79x54x33 | |
| | MTBF | 500,000hrs. min. MIL-HDBK-217F (25°C) | |
| Others | Safety Approval | UL60950-1, CSAC22.2, BSMI, CNS14336 | |
| | EMC Standards | Compliance to FCC PART 15/ CISPR22 class B, CNS 13438 class B | |
| | Connector Plug | PIJ, 2.1Ø* 11mm, center positive | |
| | | | |



| Model Number | | CLD20 | CLD40 | CLD60 |
|-----------------------|--------------------------------|---|--------------------------|---------------------------|
| Input | Voltage Range | 90~264 VAC Universal Input | | |
| | Frequency Range | 47~63Hz | | |
| | Efficiency (Typical) | 83% | | |
| | AC Current | 0.45A/115VAC 0.22A/230VAC | 1A/115VAC 0.5A/230VAC | 1.25/100VAC 0.7A/240VA |
| | Inrush Current (max.) | 50A/230VAC Cold Start | | |
| | Leakage Current | 0.5mA/240VAC/50Hz | | 0.75mA/132VAC/60Hz |
| Output | DC Voltage | 12±3% | | |
| | Rated Current | 1.7A | 3.4A | 5.0A |
| | Rated Power | 20W | 40W | 60W |
| | Protection | OVP, Short-Current, OTP, OPP, Current Limit | | |
| Environmental Ratings | Operating Ambient Temperature | -20° C~+60°C | | |
| | Storage Ambient Temp./Humidity | -40~+80°C | | |
| | Relative Humidity | Waterproof IP67 | | |
| Others | Dimensions (mm) L x W x H | 130x31.5x23 | 133x58x35 | 148x73x40 |
| | MTBF | 100,000hrs./ 25°C MIL-217F | | |
| | Safety Approval | UL1310 Class 2, TUV EN60950, CB Report | | |
| | EMC Standards | EN55022 Class B, EN55024, EN61000-3-2,3, IEC61000-4-2,3,4,5,6,8,11 (CE) | | CE EN55015 EN55024 |
| | PFC Function | N/A | | |

Dimming Guide (Components supplied by others)

OPTION 1
Qualified dimming controller:
Titanium 913710830902 by Advance Transformer
Qualified dimming switches:
Nova NTFTVor NFTV by Lutron

OPTION 2
Qualified dimming controller:
OT-DIM by Osram Sylvania
Qualified dimming switches:
Nova NTFTVor NFTV by Lutron



CUCEC Connectors
End to end connectors, complete with molded-in male and female plugs for flexible continuous row power from luminaire to the next.
Lengths: 10" to 60".



CUCWC Connectors
Plug to wire connectors, complete with molded-in male connector to start power run directly from remote driver. 18 gauge wire stripped and ready for connection to driver. Lengths: 10" to 180".



CUCMC Mounting Clips
2 included with every luminaire, additional clips may be ordered as needed.

Philips Capri reserves the right to make changes without notice.©2010